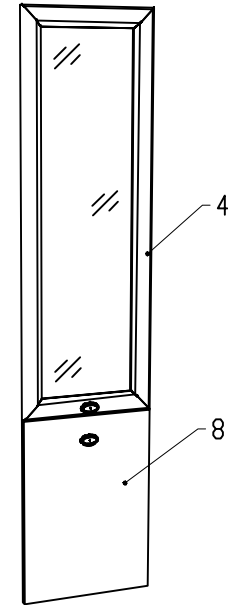
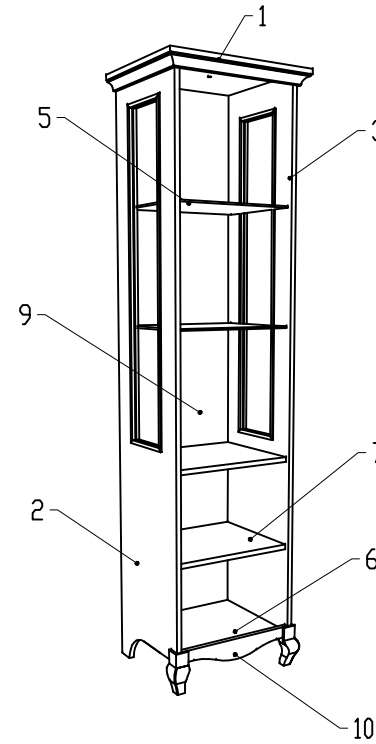
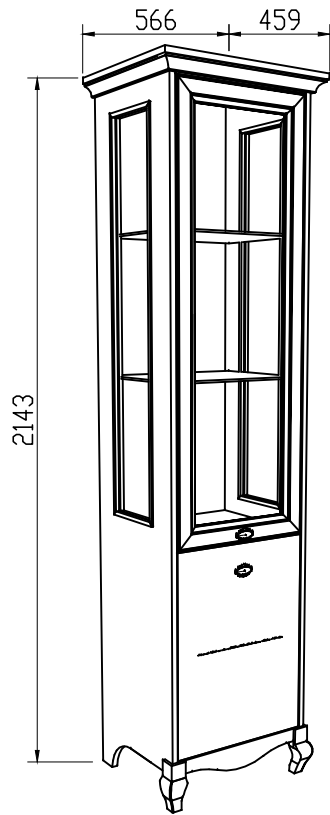
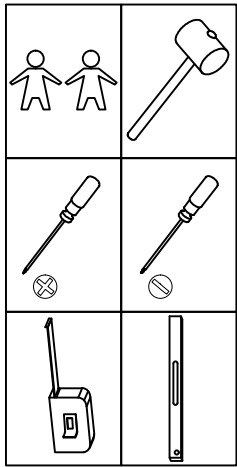
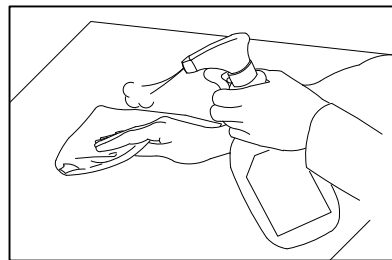
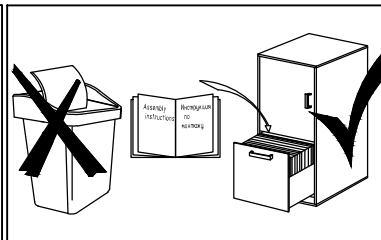
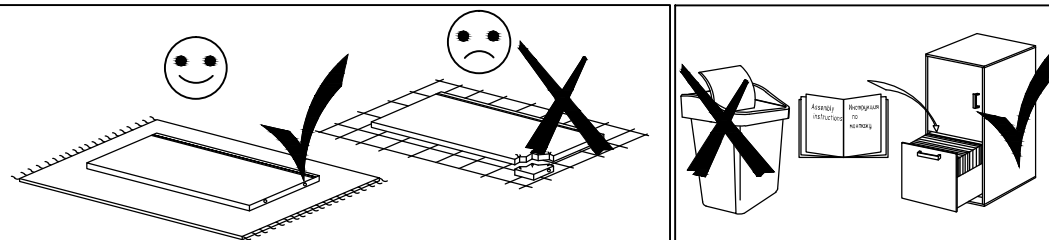
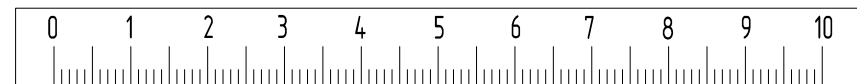


"VINTAGE" Art. 38.133



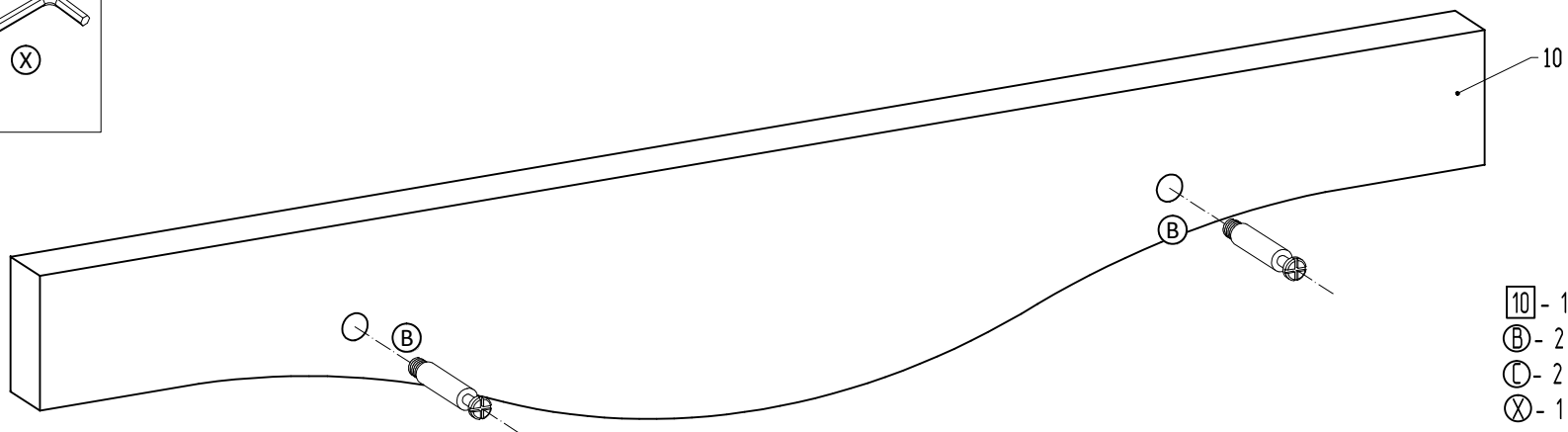
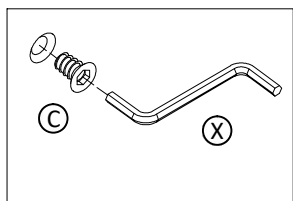
| Packaging number | Contains | L*W*H | Quantity |
|------------------|----------|-------------|----------|
| 1 | 2 | 2121*420*26 | 1 |
| | 3 | 2121*420*26 | 1 |
| | 9 | 2013*470*3 | 1 |
| 2 | 8 | 618*450*18 | 1 |
| | 4 | 1312*450*22 | 1 |
| 3 | 1 | 566*459*53 | 1 |
| | 6 | 454*401*18 | 1 |
| | 10 | 454*76*18 | 1 |
| 4 | 7 | 454*386*18 | 2 |
| | 5 | 442*361*6 | 2 |

| | | | | | | | | |
|------|-------|-------|-------|-------|-------|-------|-------|-------|
| A x1 | B x10 | C x10 | D x10 | E x10 | F x4 | | | |
| | | | | | | | | |
| G x8 | H x8 | I x10 | J x5 | K x5 | L x8 | | | |
| | | | | | | | | |
| M x2 | N x2 | O x2 | P x8 | Q x8 | R x2 | S x3 | T x6 | U x2 |
| | | | | | | | | |
| V x1 | W x2 | X x1 | Y x2 | Z x1 | A1 x1 | B1 x1 | C1 x2 | D1 x1 |
| | | | | | | | | |



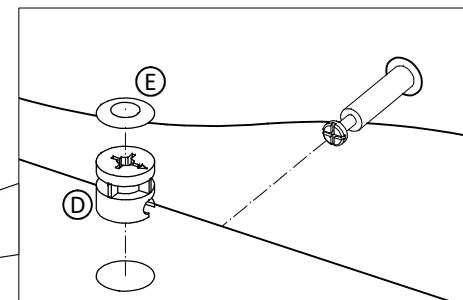
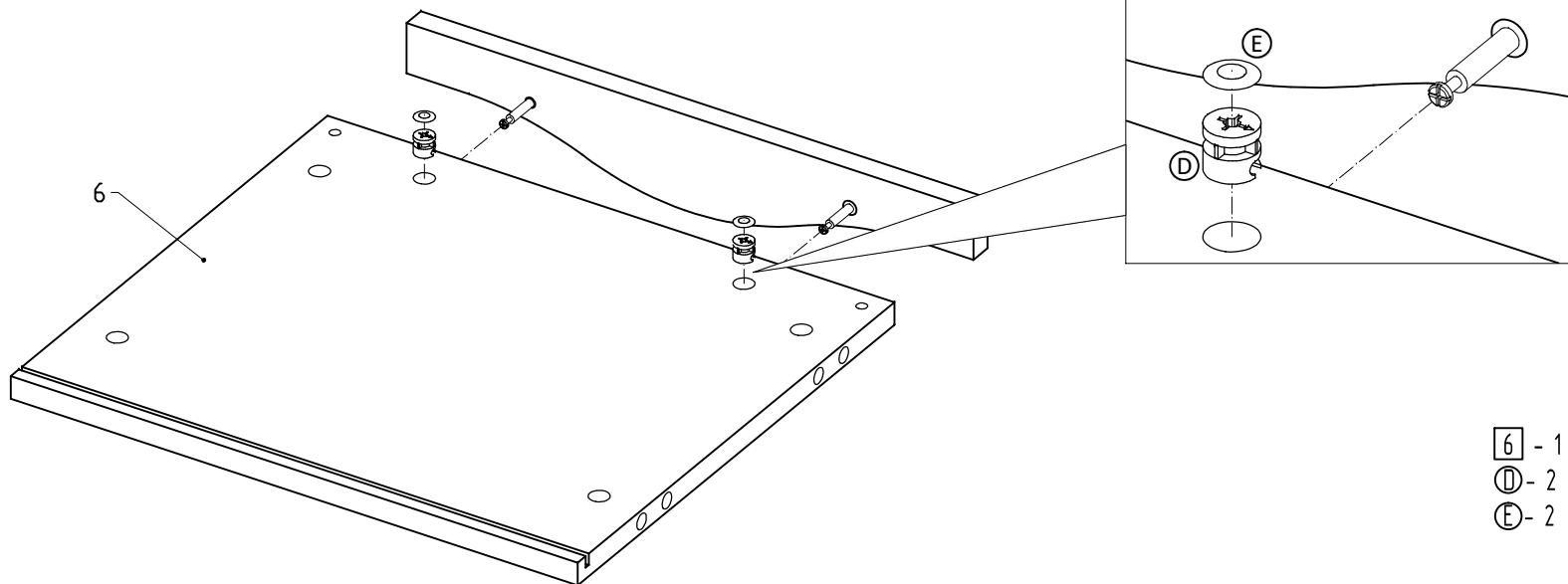
"VINTAGE" Art. 38.133

1



- 10 - 1
- B - 2
- C - 2
- X - 1

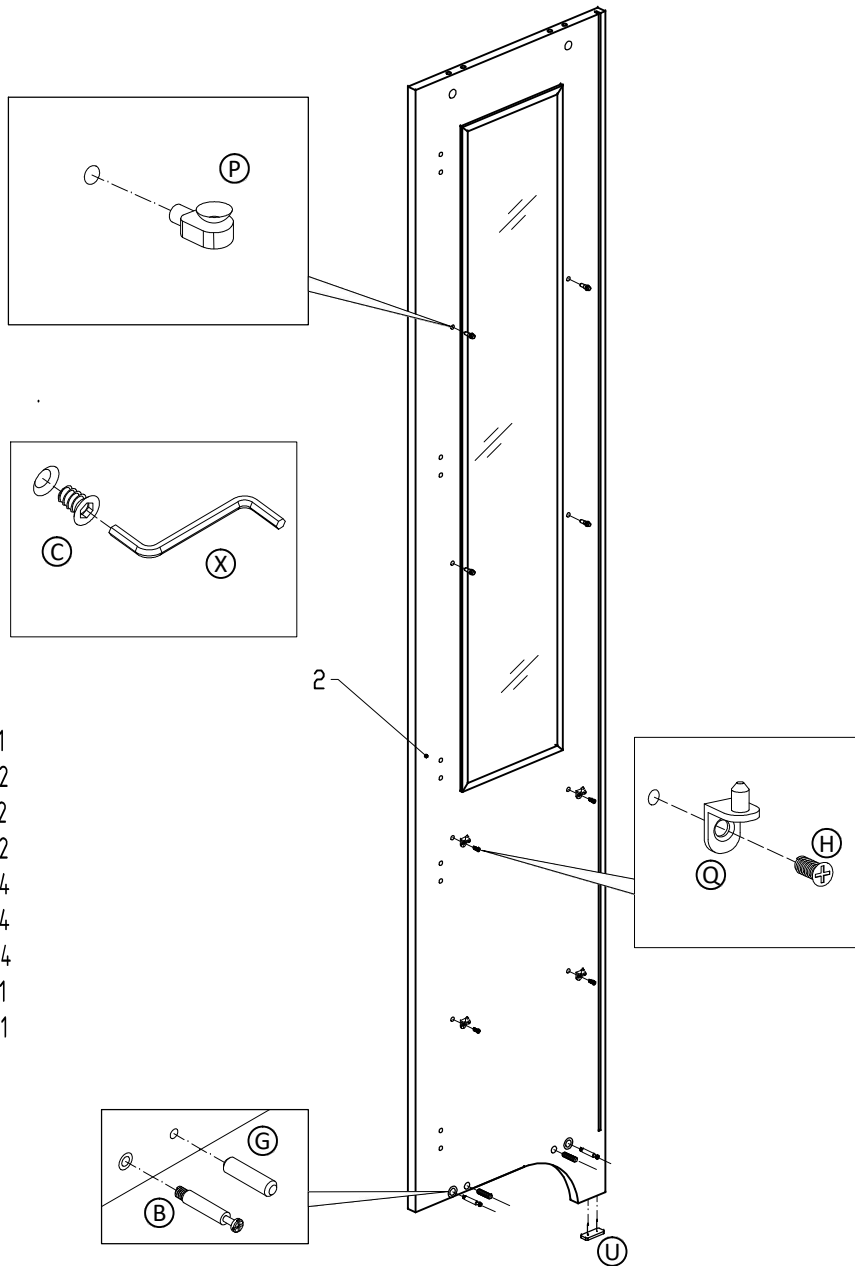
2



- 6 - 1
- D - 2
- E - 2

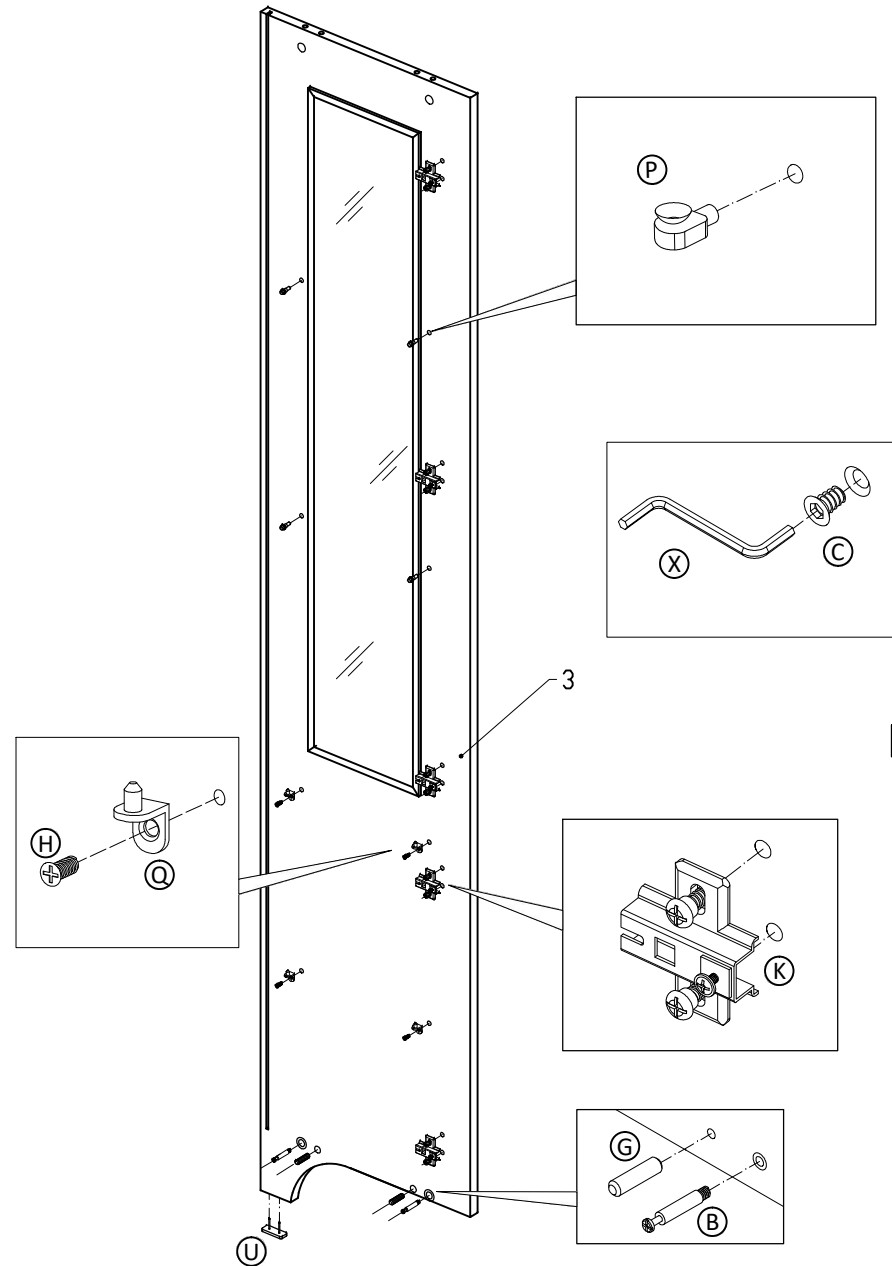
"VINTAGE" Art. 38.133

3



- 2 - 1
- B - 2
- C - 2
- G - 2
- H - 4
- P - 4
- Q - 4
- U - 1
- X - 1

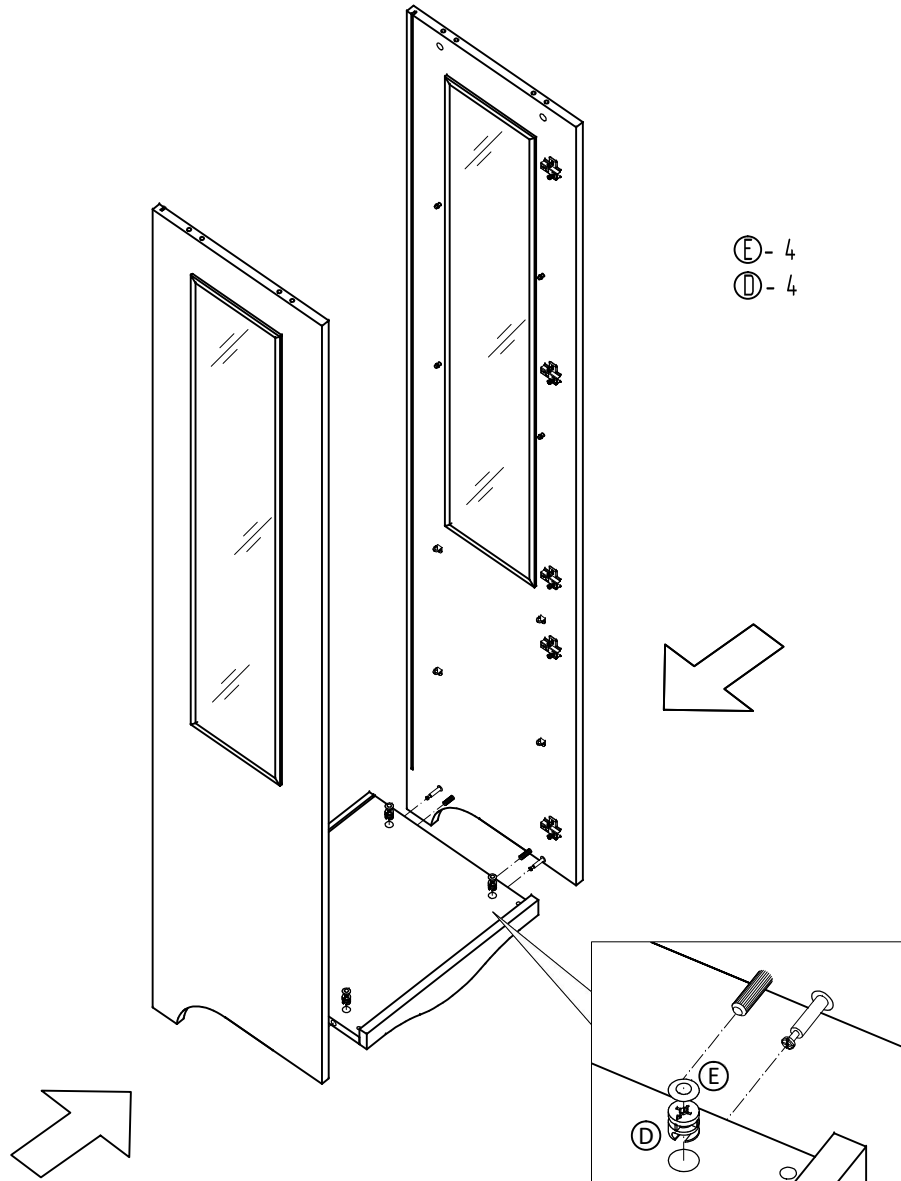
4



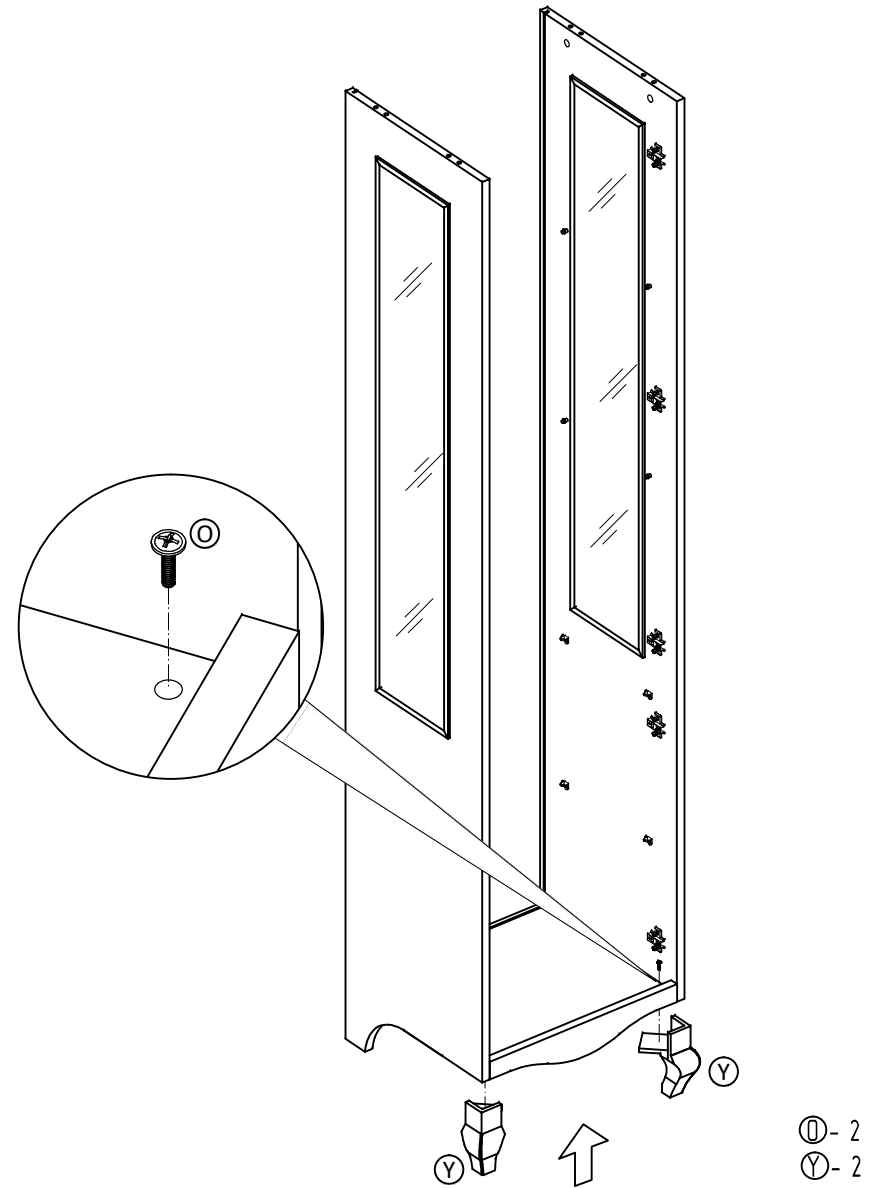
- 3 - 1
- B - 2
- C - 2
- G - 2
- H - 4
- X - 5
- P - 4
- Q - 4
- U - 1
- X - 1

"VINTAGE" Art. 38.133

5



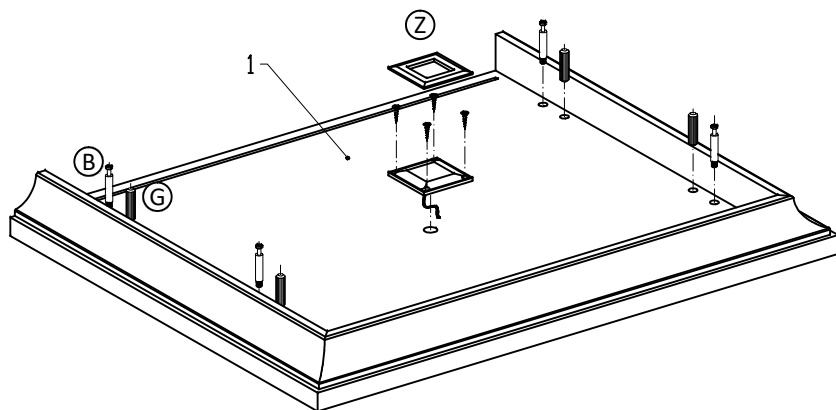
6



"VINTAGE" Art. 38.133

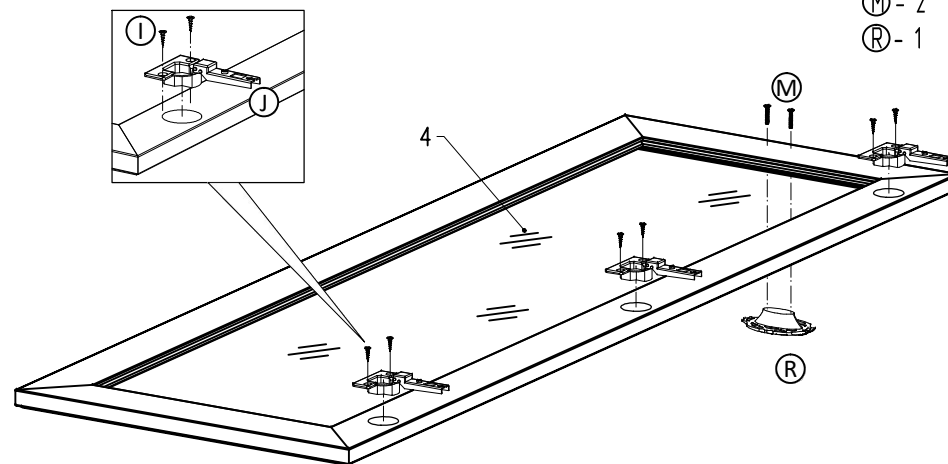
7

- 1- 1
- B- 4
- C- 4
- D- 4
- X- 1
- Z- 1



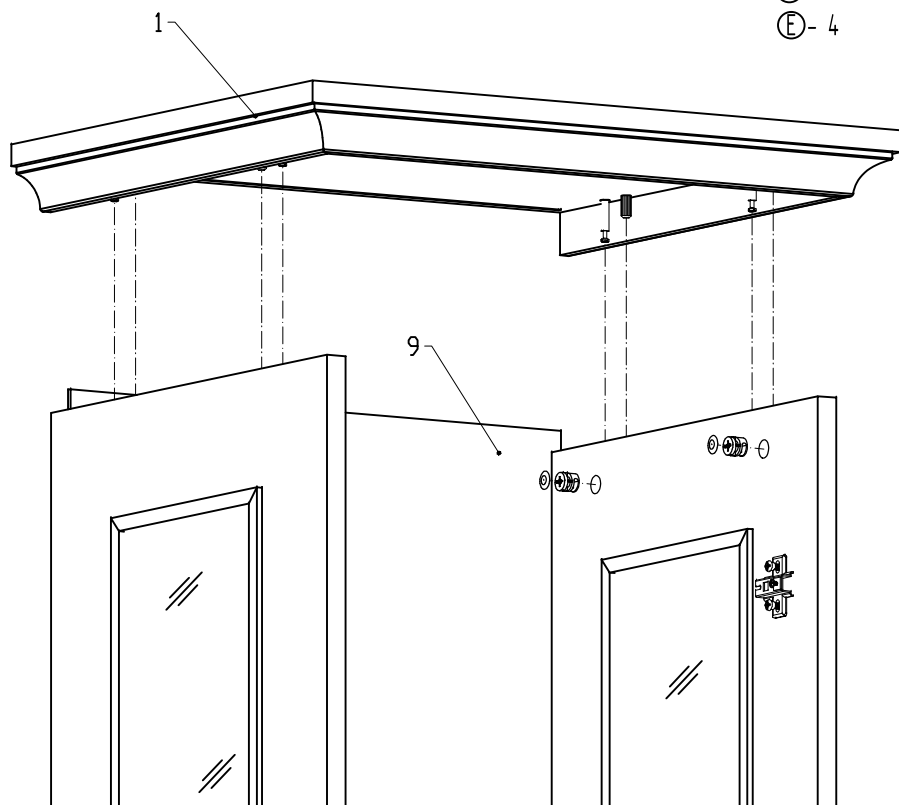
9

- 4- 1
- L- 6
- J- 3
- M- 2
- R- 1



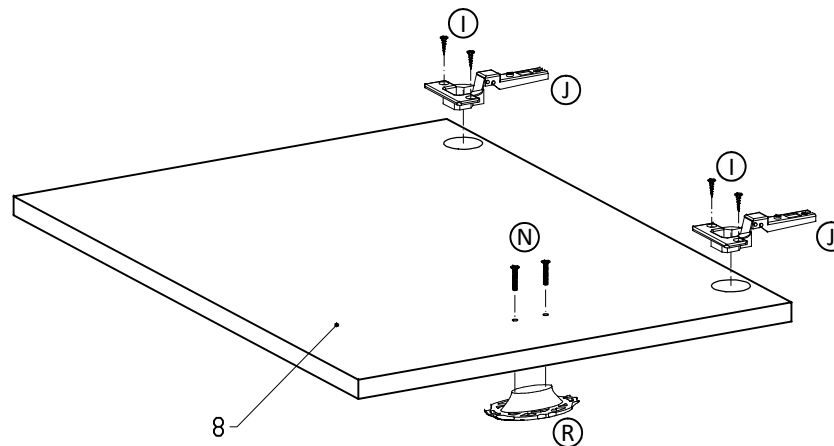
8

- 9- 1
- D- 4
- E- 4



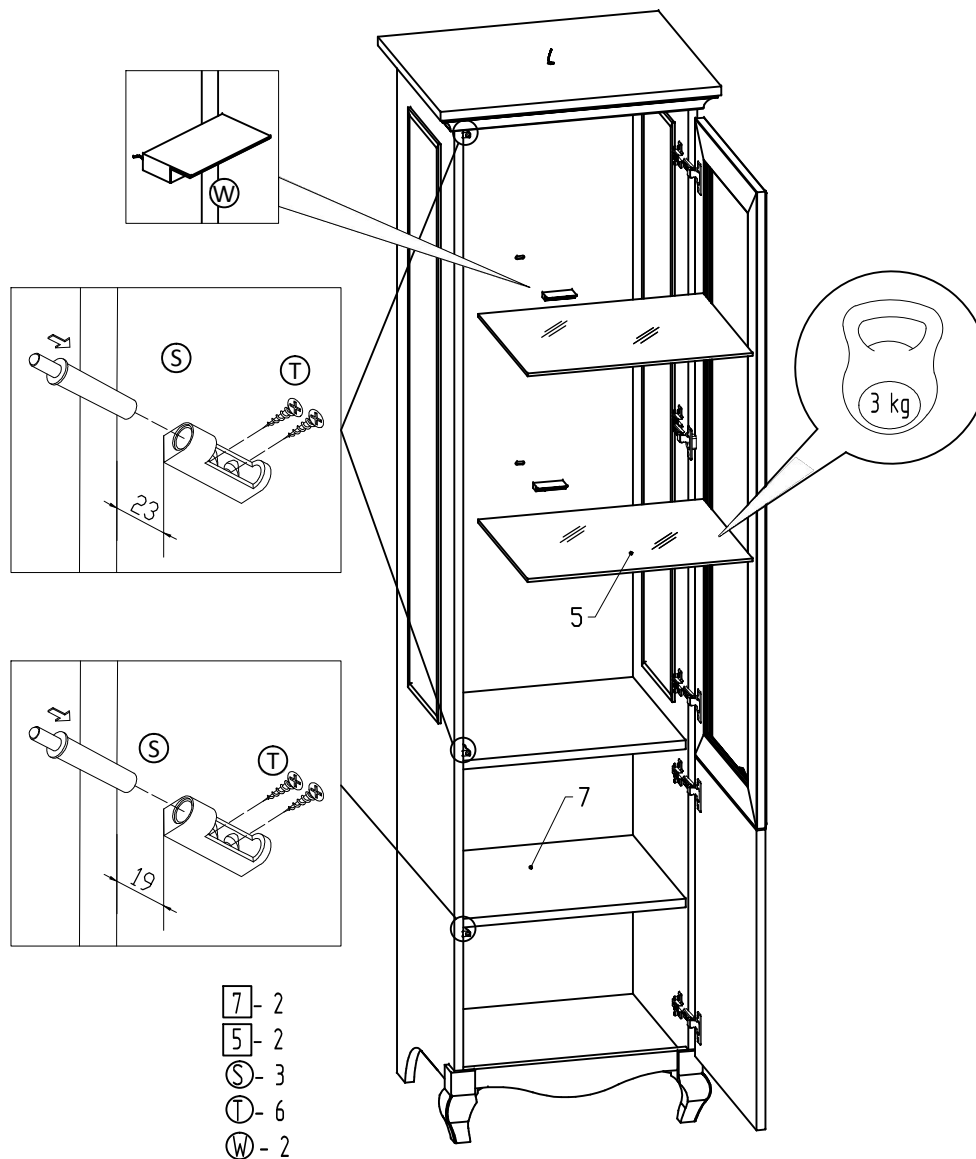
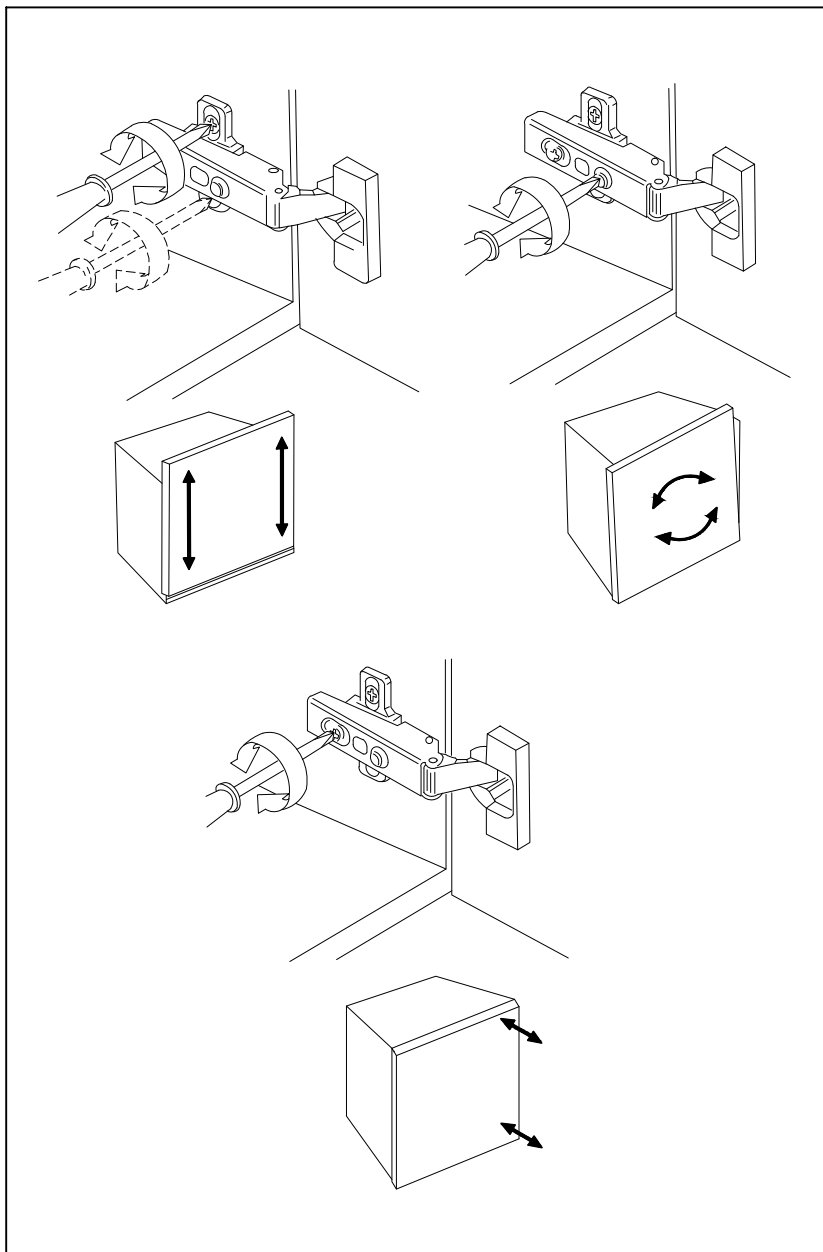
10

- 8- 1
- L- 4
- J- 2
- N- 2
- R- 1



"VINTAGE" Art. 38.133

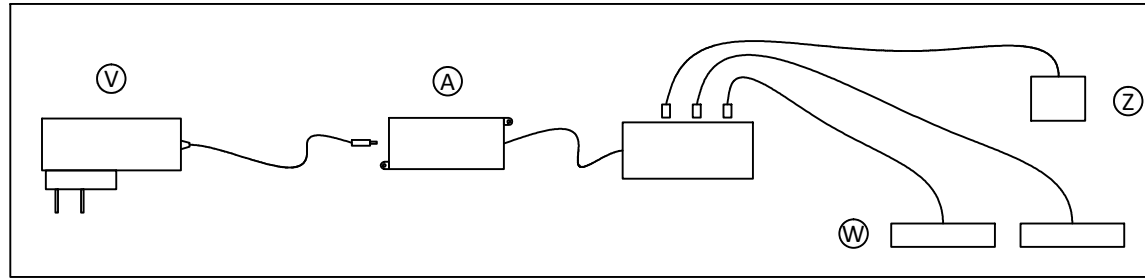
11



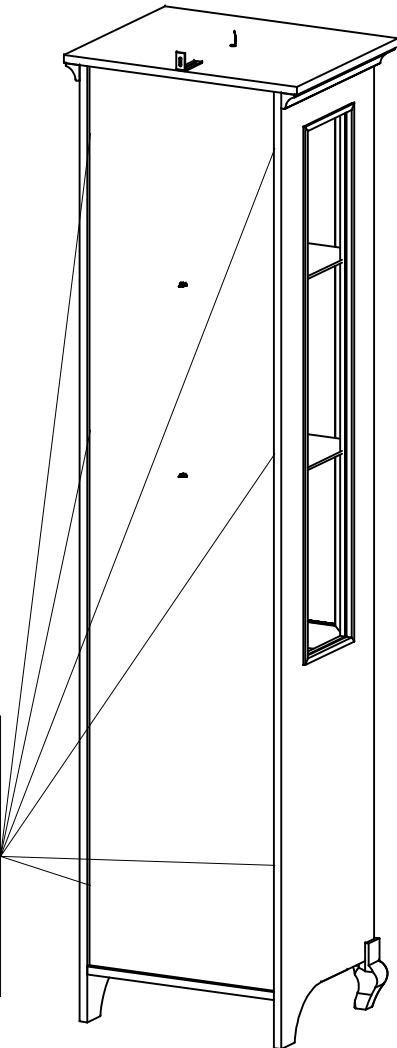
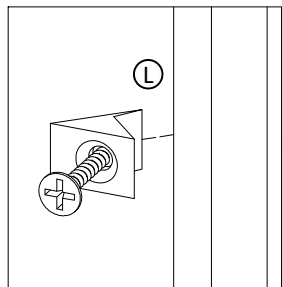
- 7- 2
- 5- 2
- S- 3
- T- 6
- W- 2

"VINTAGE" Art. 38.133

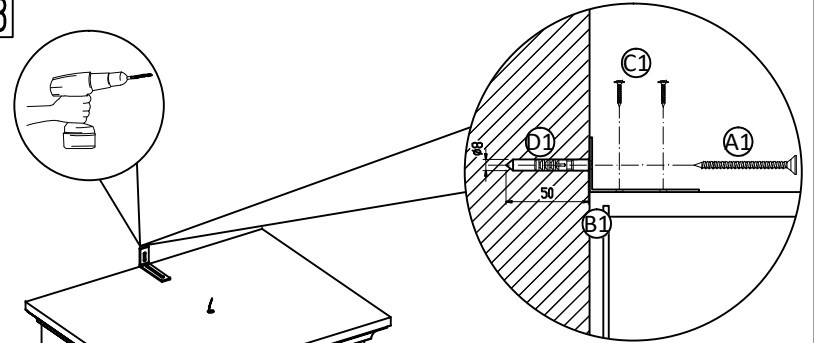
12



- Ⓛ - 8
- Ⓥ - 1
- Ⓐ - 1



13



- Ⓐ - 1
- Ⓑ - 1
- Ⓒ - 2
- Ⓓ - 1

