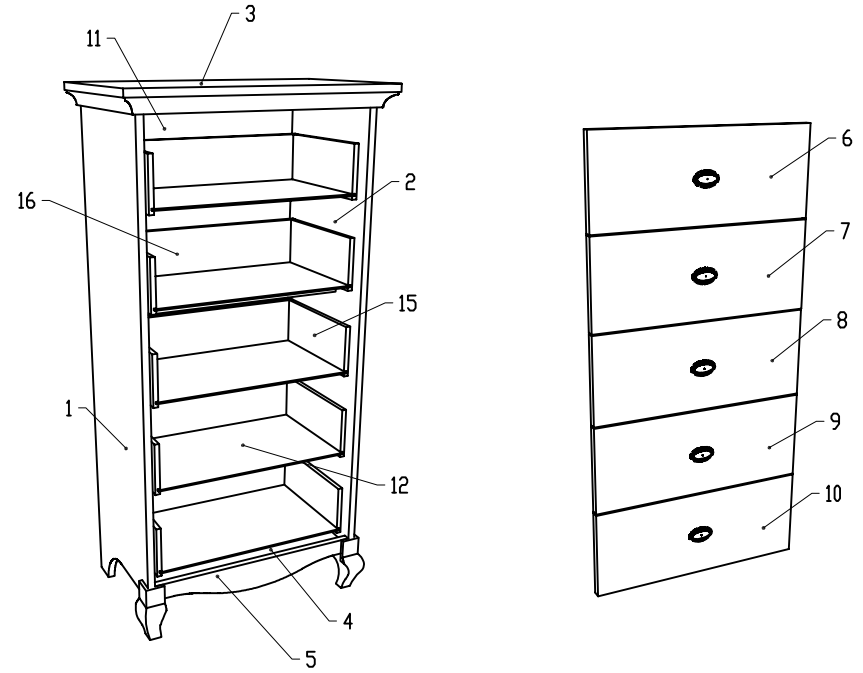
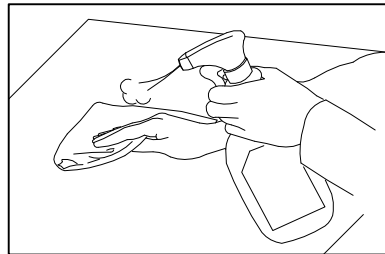
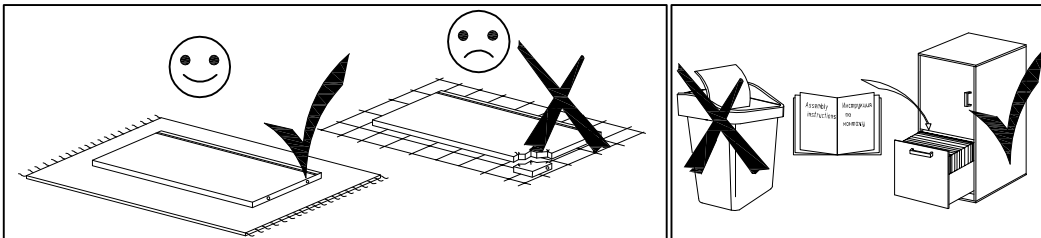
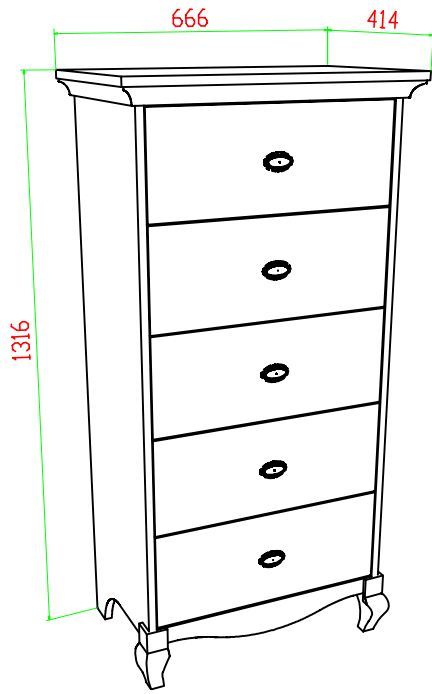
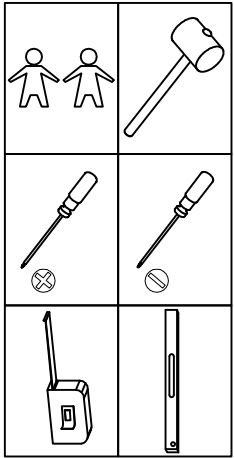


"VINTAGE" Art. 38.602



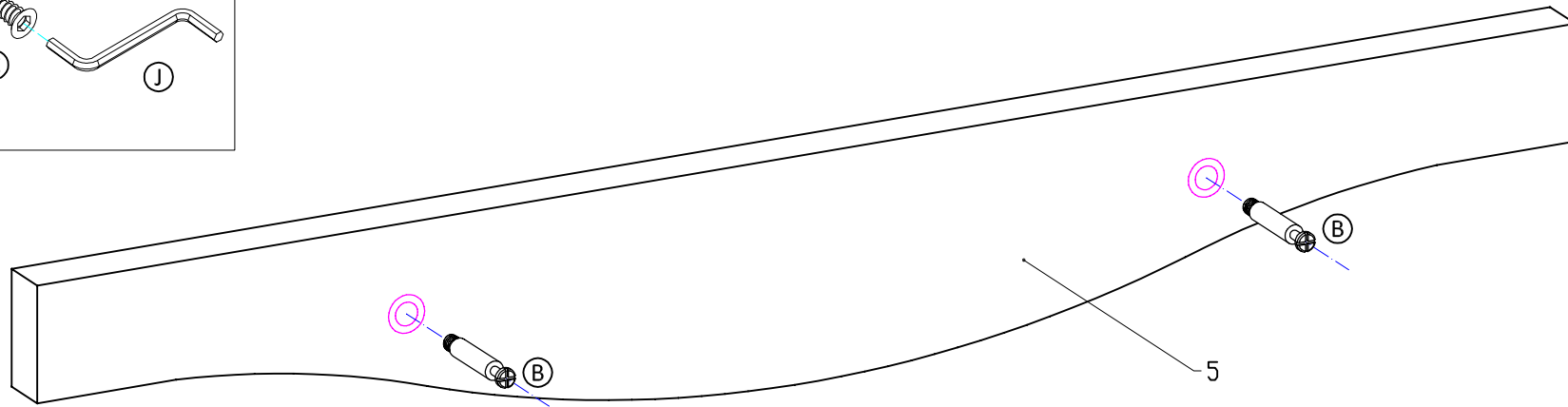
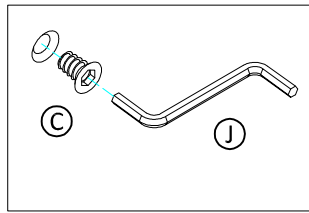
A	x2	B	x12	C	x12	D	x12	E	x12	F	x50
			L34		M6 8x11		15x14		d15		8x28
G	x20	H	x20	I	x20	J	x1	K	x20	L	x30
	L24		12x10		d12		SW6		US 3,5x13		US 3,5x16
M	x10	N	x2	O	x12	P	x5	Q	x1	R	x2
	UP M4x22		UP M6x25				L300				
S	x5	T	x1	U	x2						

Packaging number	Contains	L*W*H	Quantity
1	1	1294*375*18	1
	2	1294*375*18	1
	11	1186*570*3	1
	15	288*130*12	10
	16	526*130*12	5
2	3	666*414*53	1
	4	554*356*18	1
	5	554*78*18	1
	13	554*70*18	1
	12	512*298*3	5
3	6	550*219*18	1
	7	550*219*18	1
	8	550*219*18	1
	9	550*219*18	1
	10	550*219*18	1



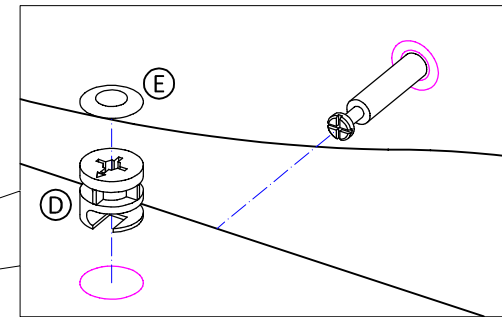
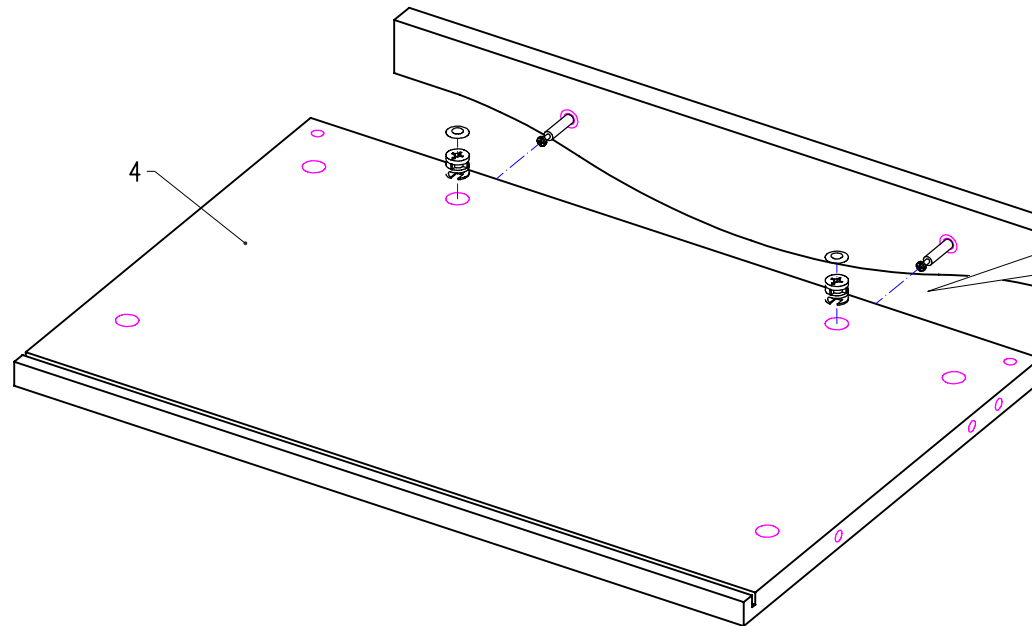
"VINTAGE" Art. 38.602

1



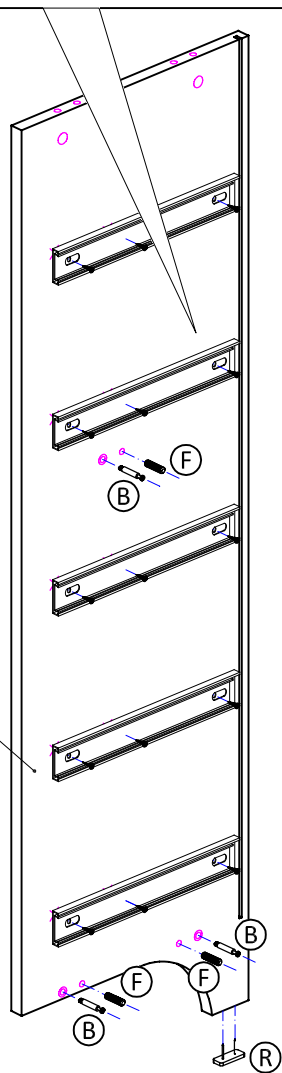
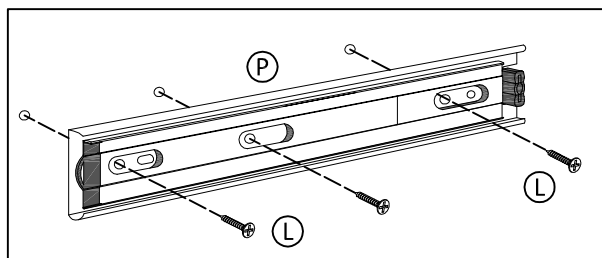
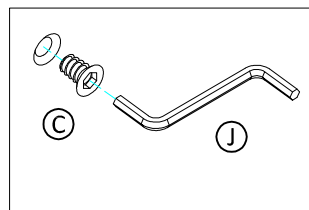
- 5 - 1
- B - 2
- C - 2
- J - 1

2



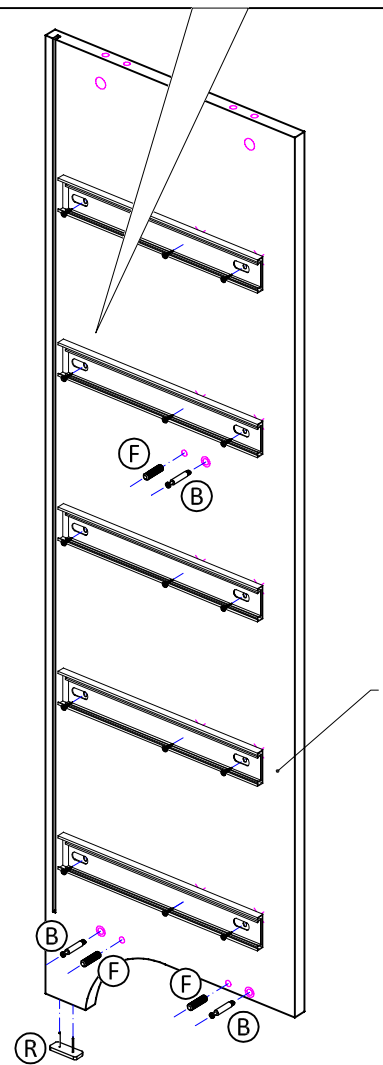
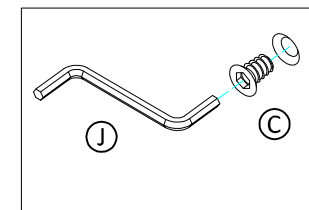
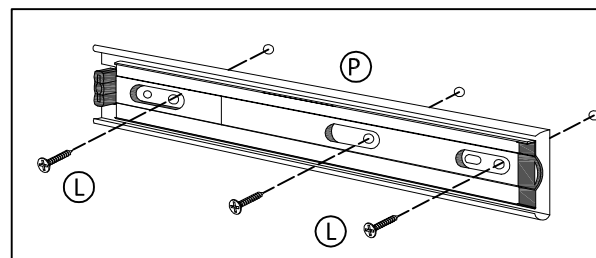
- 4 - 1
- D - 2
- E - 2

3



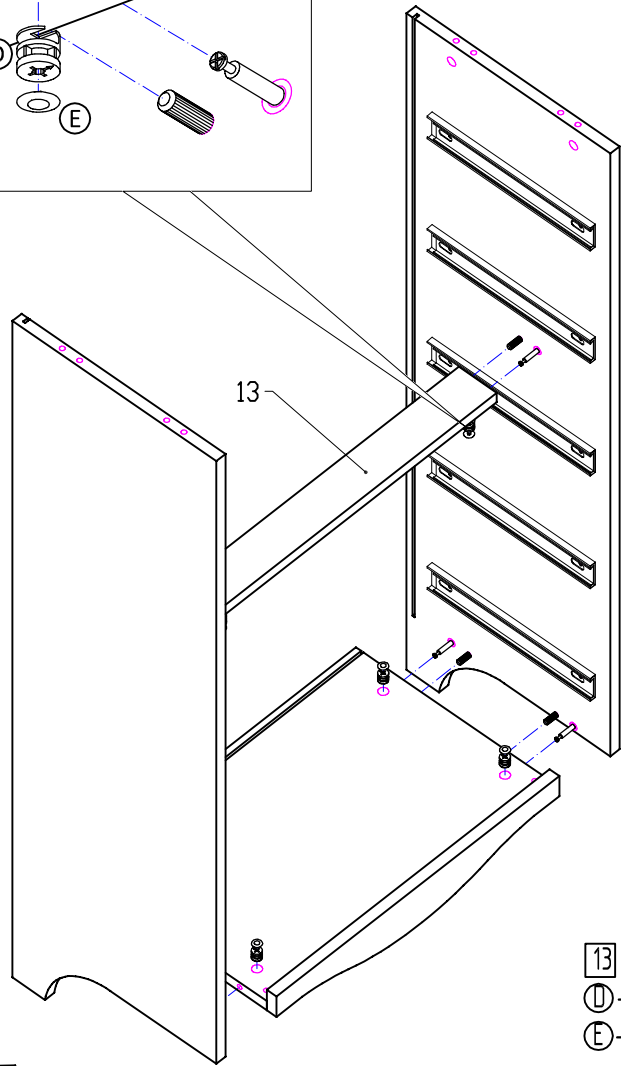
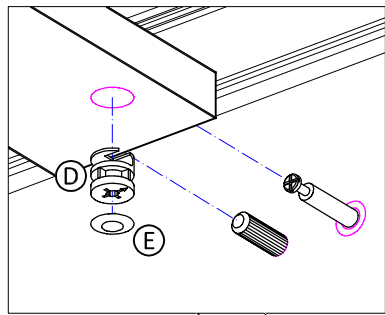
- 1- 1
- Ⓑ- 3
- Ⓒ- 3
- Ⓕ- 3
- Ⓖ- 1
- Ⓘ- 15
- Ⓟ- 5
- Ⓡ- 1

4

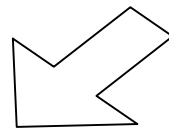


- 2- 1
- Ⓑ- 3
- Ⓒ- 3
- Ⓕ- 3
- Ⓖ- 1
- Ⓘ- 15
- Ⓟ- 5
- Ⓡ- 1

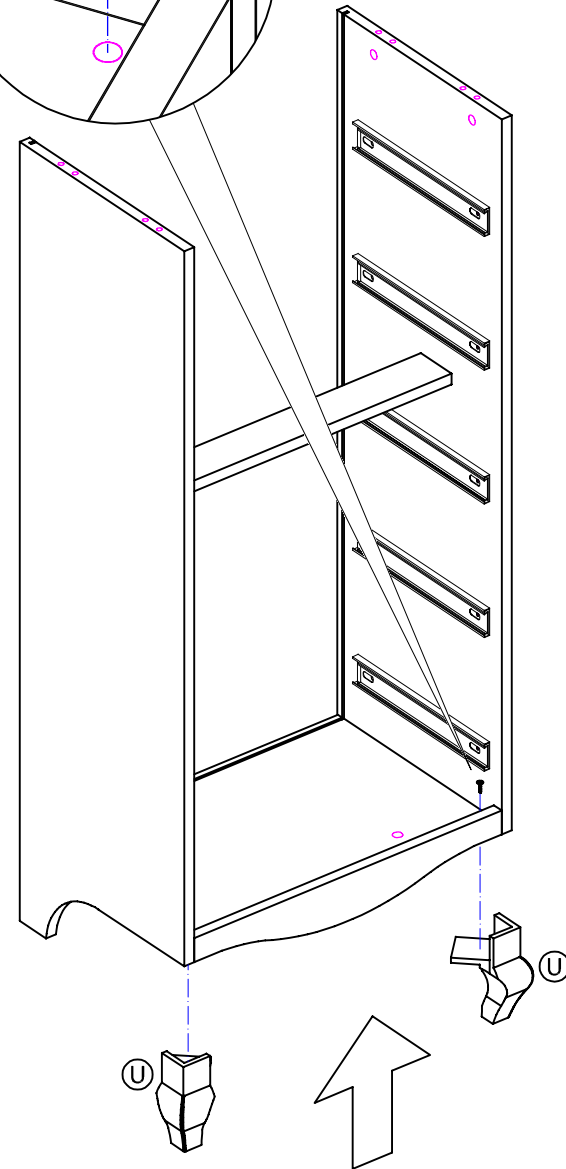
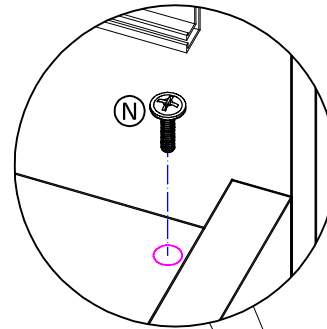
5



- 13 - 1
- ⓔ - 6
- ⓔ - 6

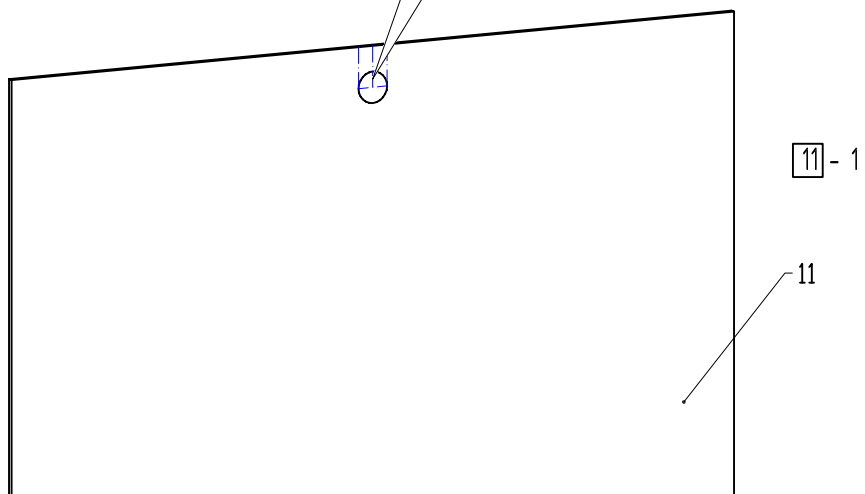
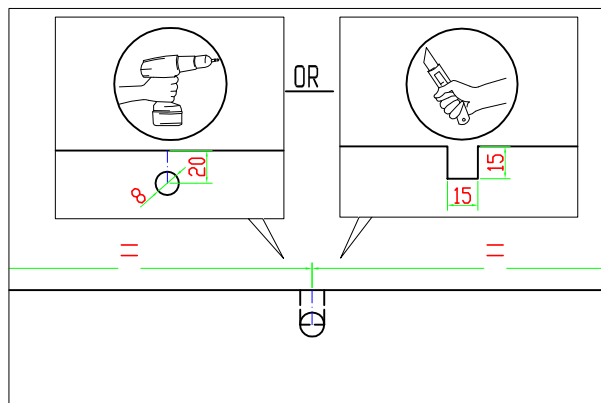


6

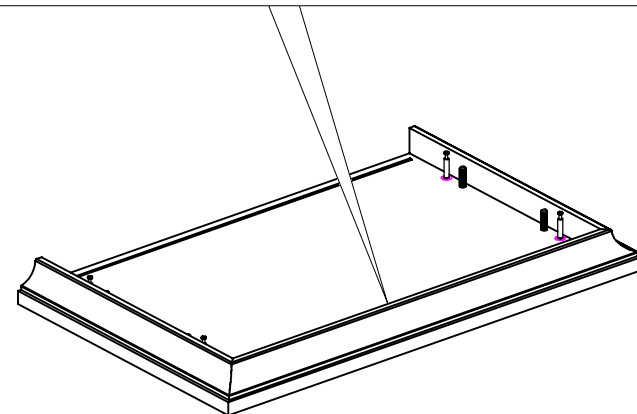
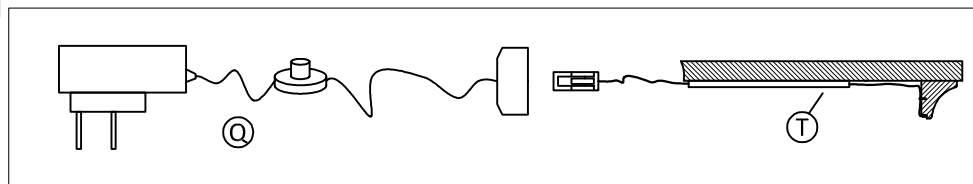


- Ⓝ - 2
- ⓔ - 2

7

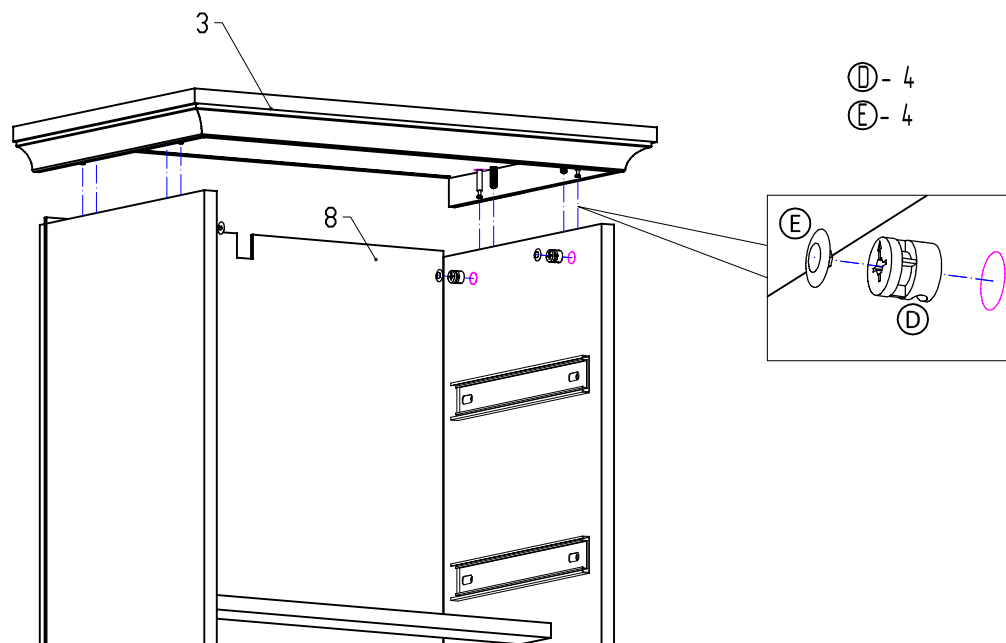


9

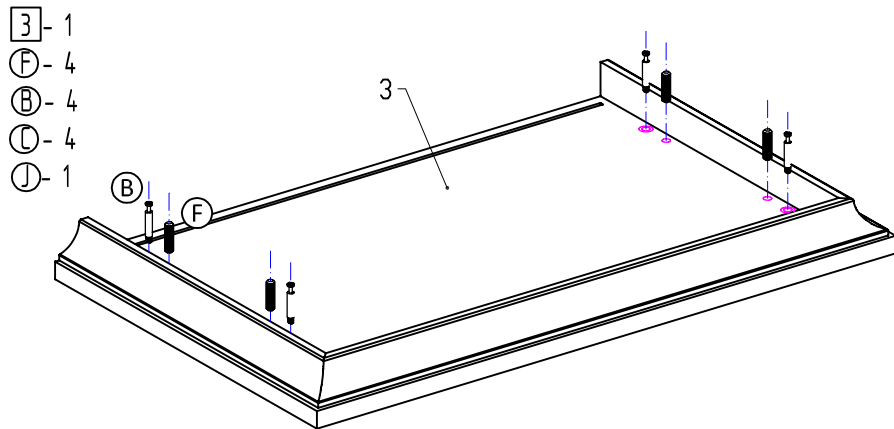


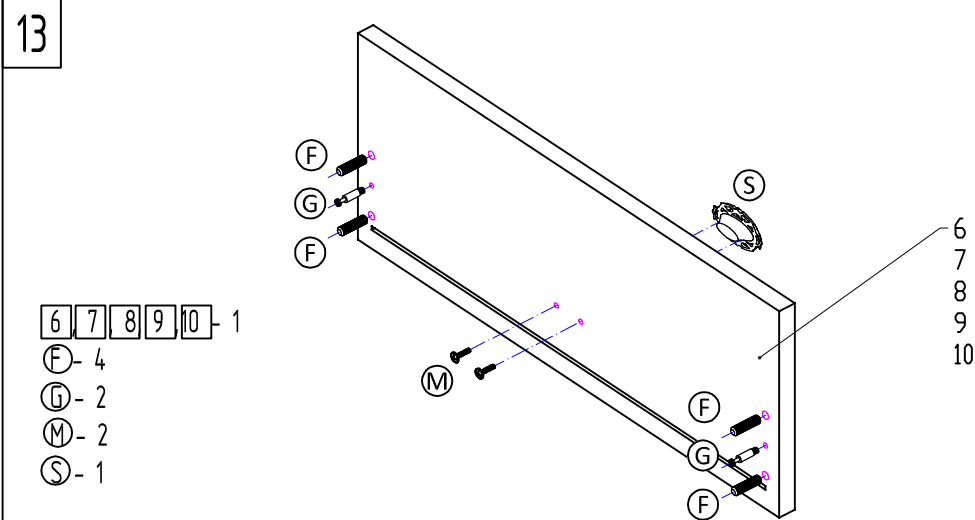
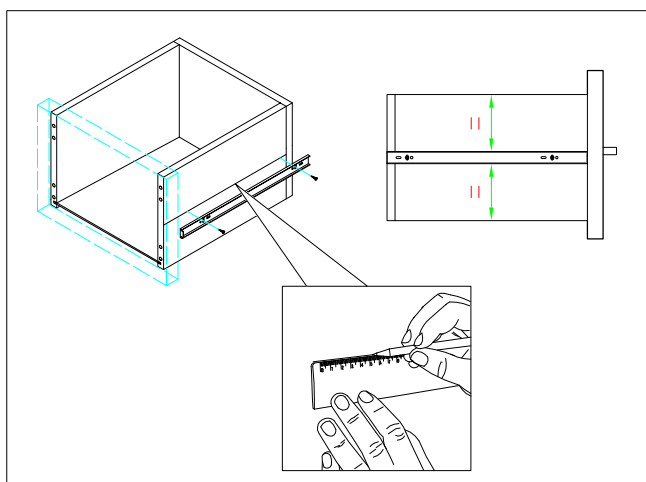
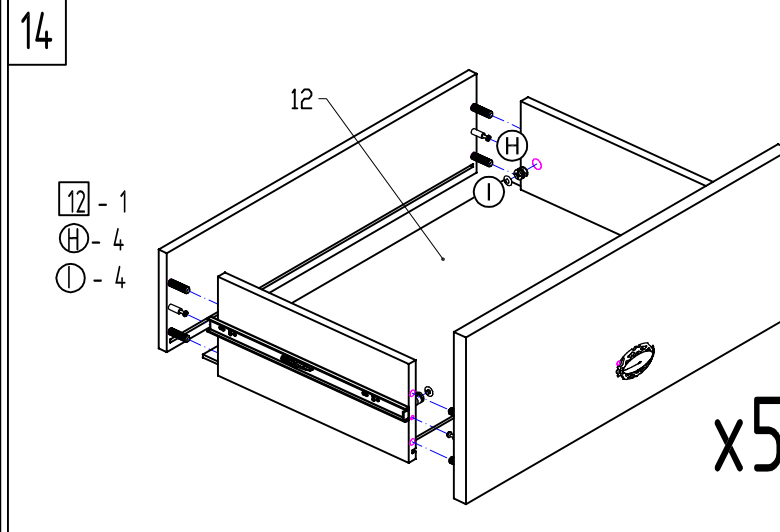
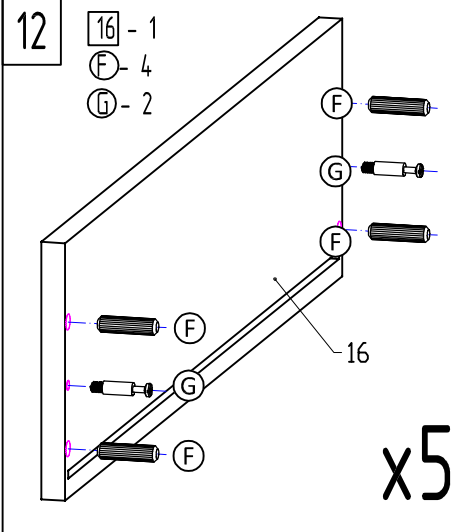
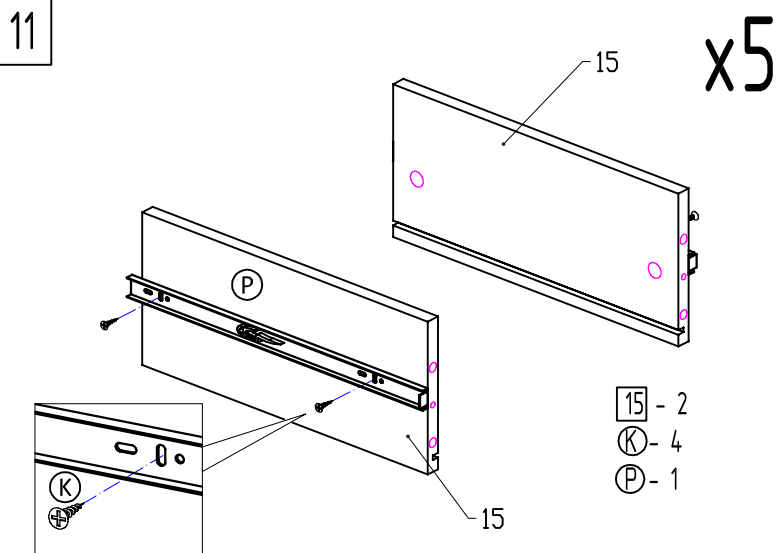
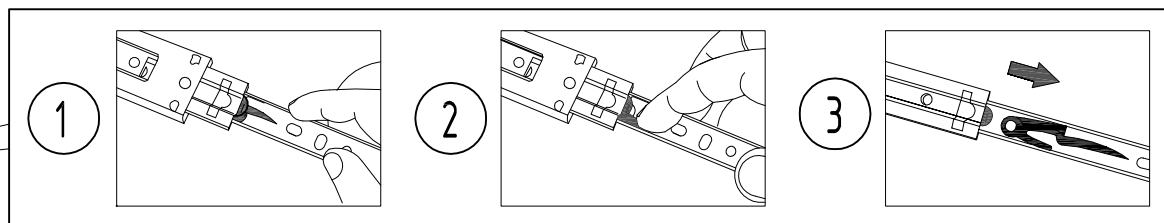
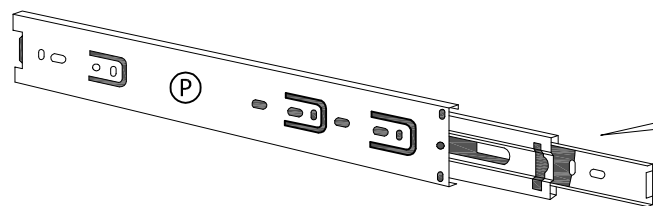
Ⓢ-1

10

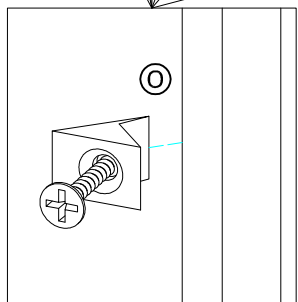
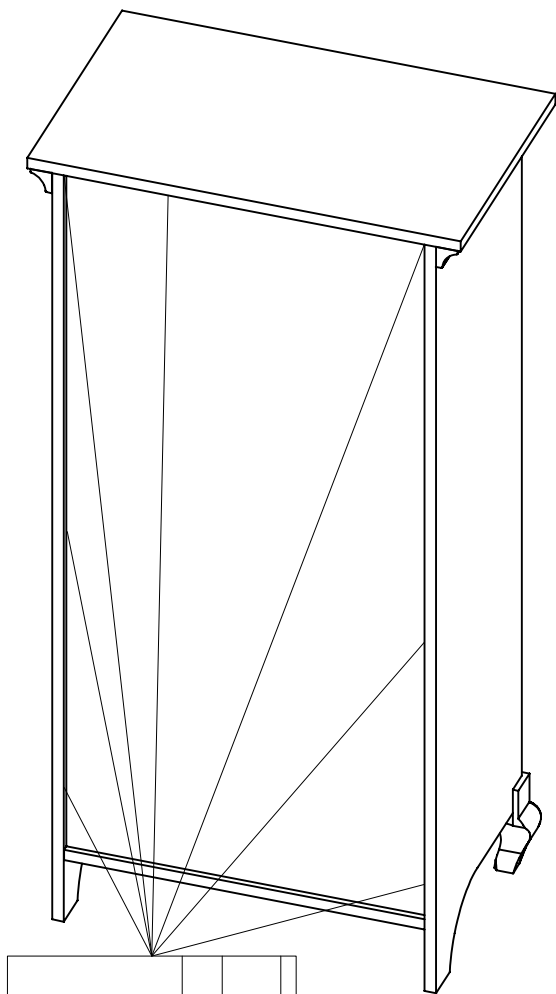


8





15



ⓐ - 12

16

