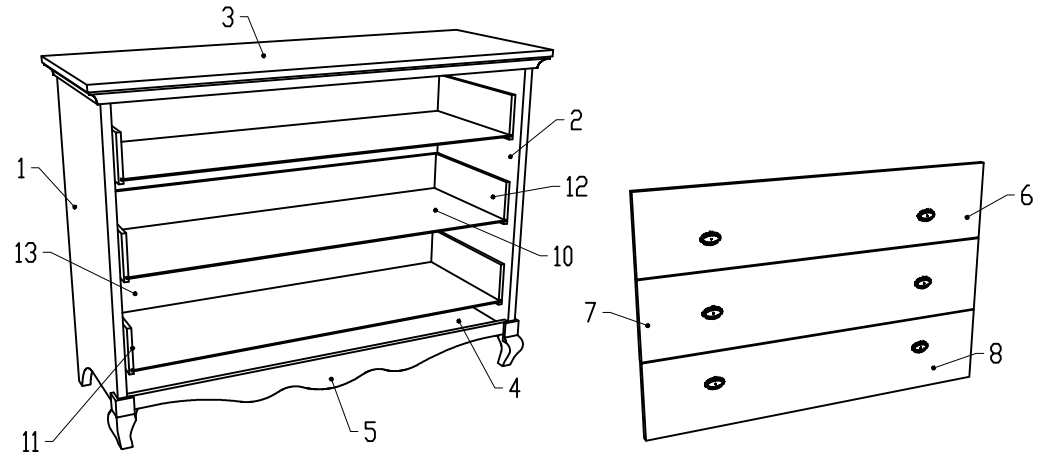
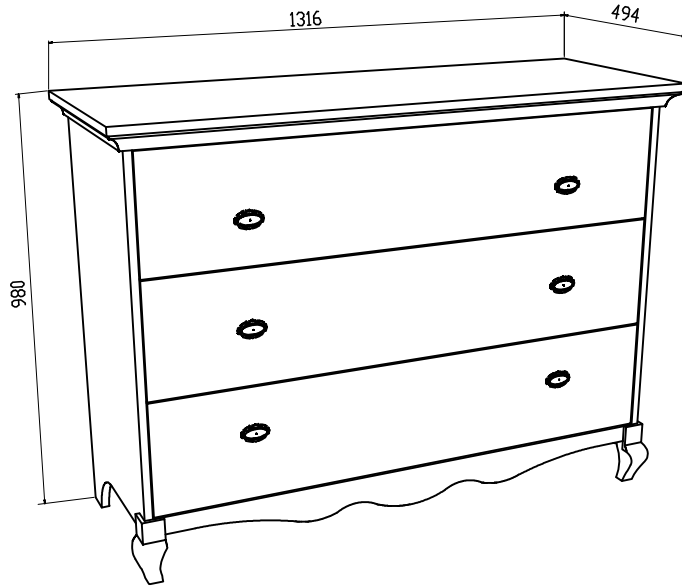
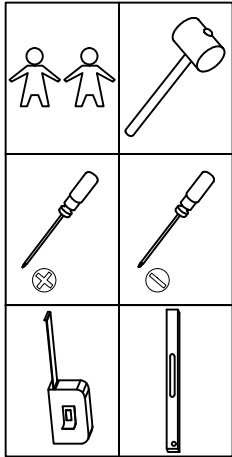
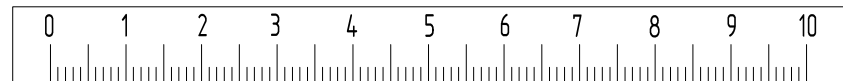
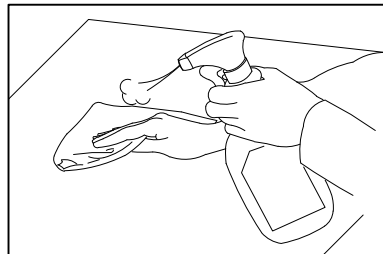
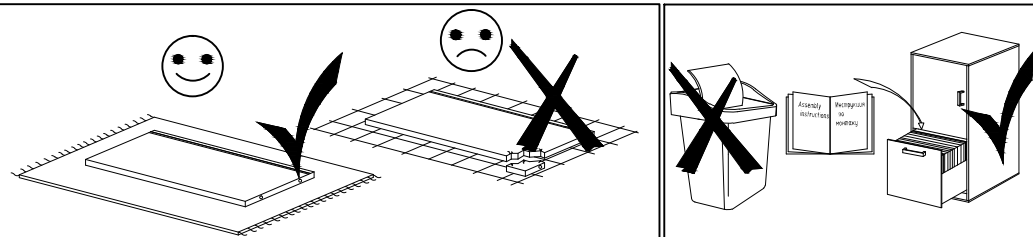


"VINTAGE" Art. 38.601.01



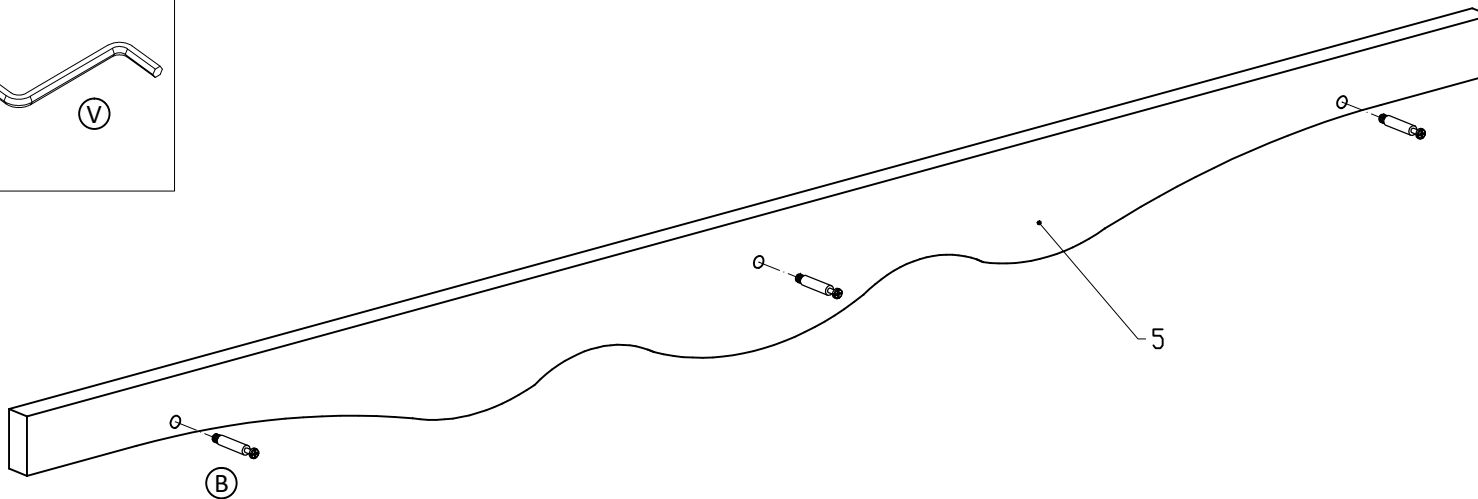
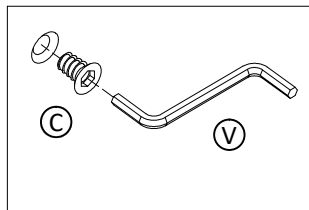
A	x2	B	x11	C	x11	D	x11	E	x11
			L34		M6 8x11		15x14		d15
F	x32	G	x12	H	x12	I	x12	J	x3
	8x28		L24		12x10		d12		
K	x6	L	x4	M	x12	N	x2	O	x10
	US 3,5x13		US 3,5x16		UP M4x22		UP M6x25		
P	x3	Q	x1	R	x2	S	x6	T	x1
	400R								
U	x3	V	x1	W	x2	X	x12		
	400L		SW6				US 6,3x11		

Packaging number	Contains	L*W*H	Quantity
1	3	1316*494*53	1
	5	1204*90*18	1
	6	1200*255*18	1
	7	1200*255*18	1
	8	1200*255*18	1
2	1	958*455*18	1
	2	958*455*18	1
	4	1204*436*18	1
	9	1220*424*3	2
	10	1174*398*3	3
	11	388*130*12	3
	12	388*130*12	3
	13	1188*130*12	3
	14	45*20*1202	1
	15	6*20*1200	1



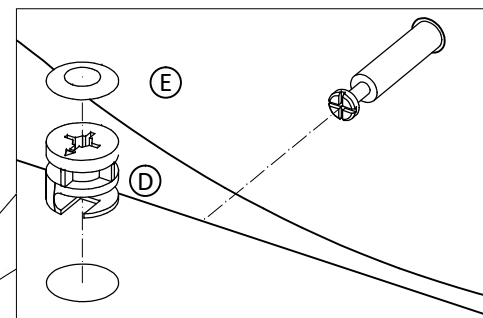
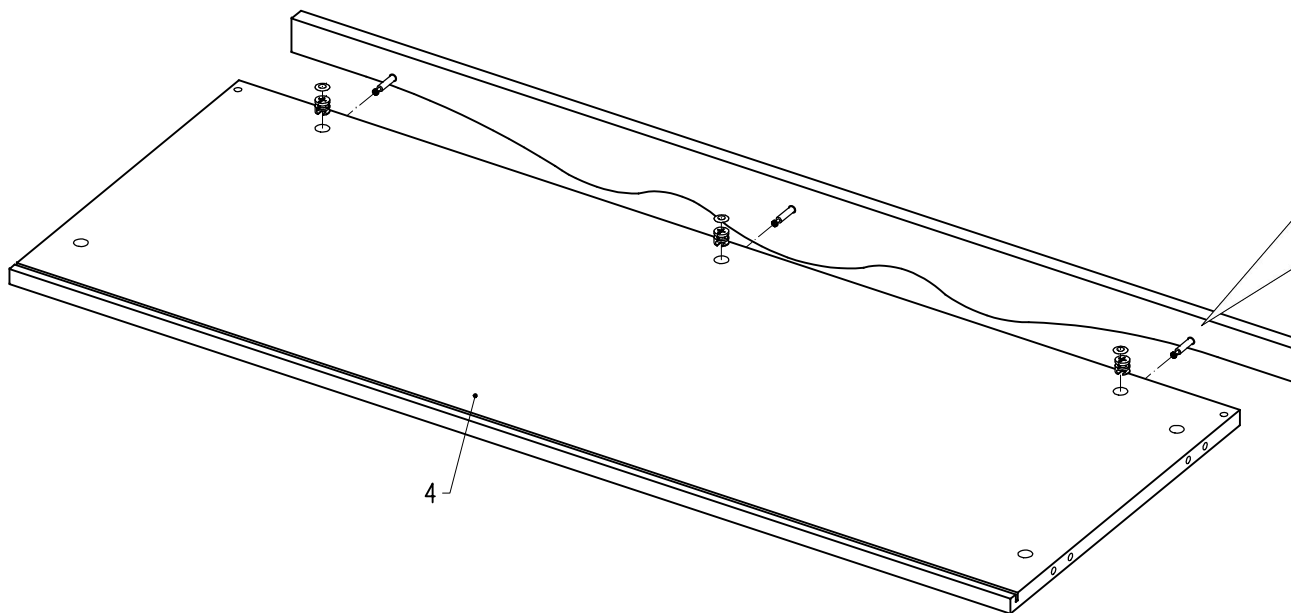
"VINTAGE" Art. 38.601.01

1



- 5 - 1
- B - 3
- C - 3
- V - 1

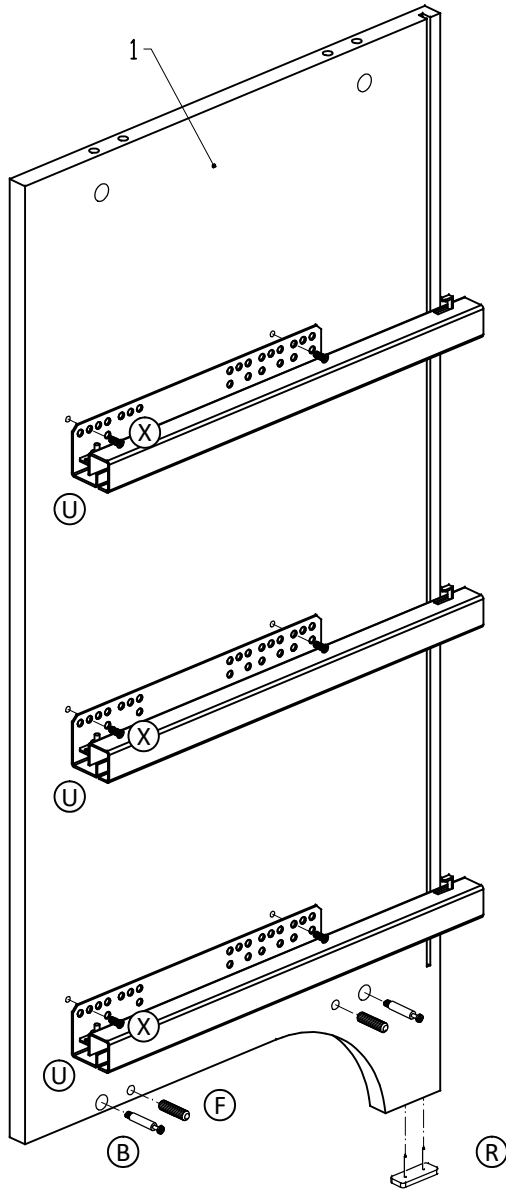
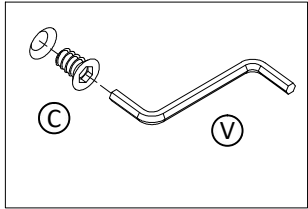
2



- 4 - 1
- D - 3
- E - 3

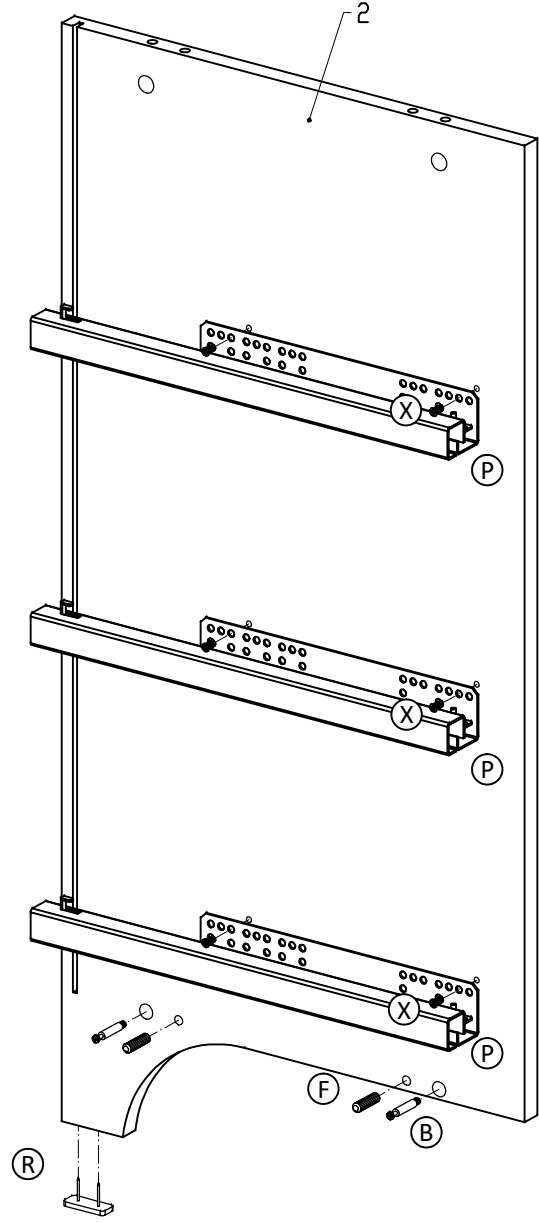
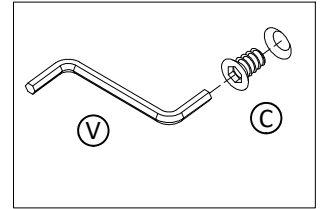
"VINTAGE" Art. 38.601.01

3



- 1 - 1
- B - 2
- C - 2
- F - 2
- R - 1
- U - 3
- V - 1
- X - 6

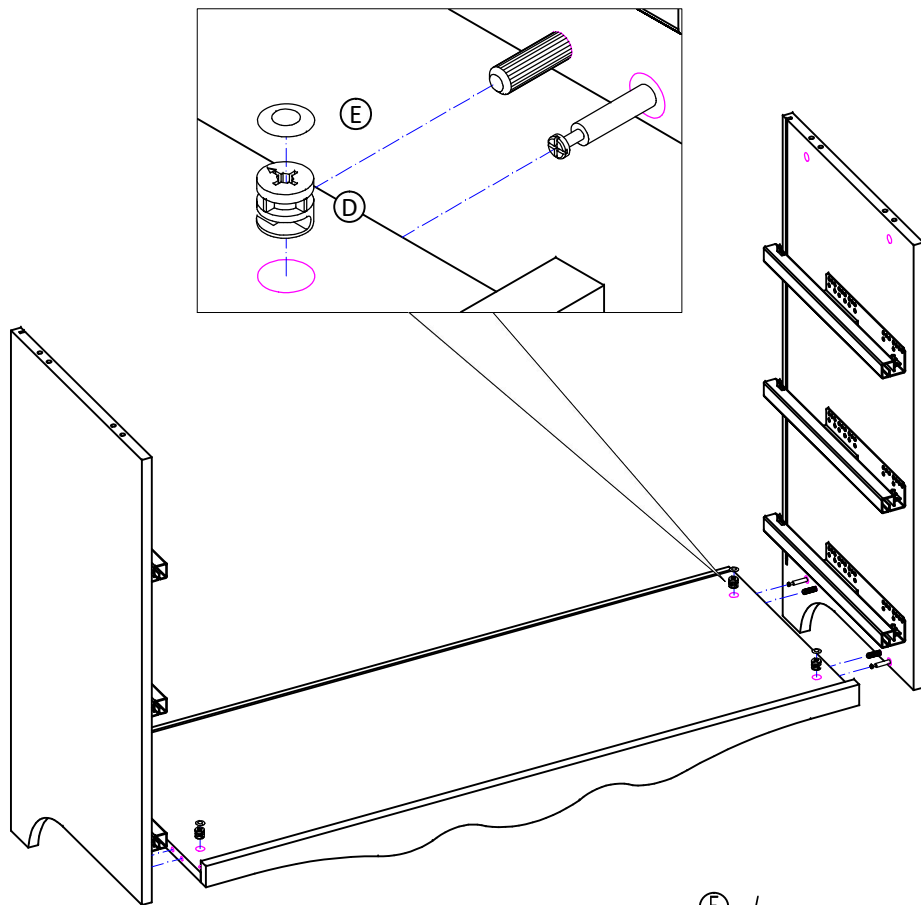
4



- 2 - 1
- B - 2
- C - 2
- F - 2
- R - 1
- P - 3
- V - 1
- X - 6

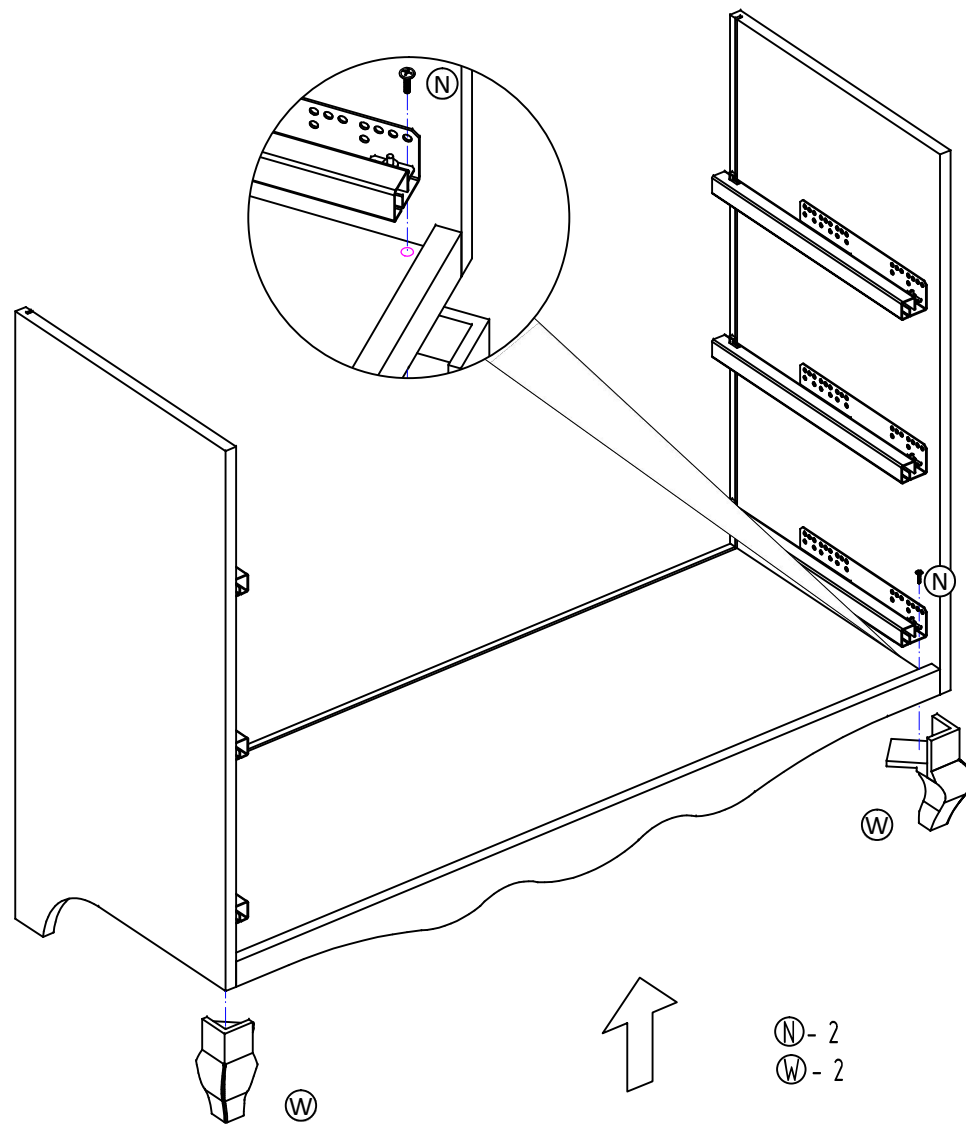
"VINTAGE" Art. 38.601.01

5



Ⓔ - 4
Ⓓ - 4

6

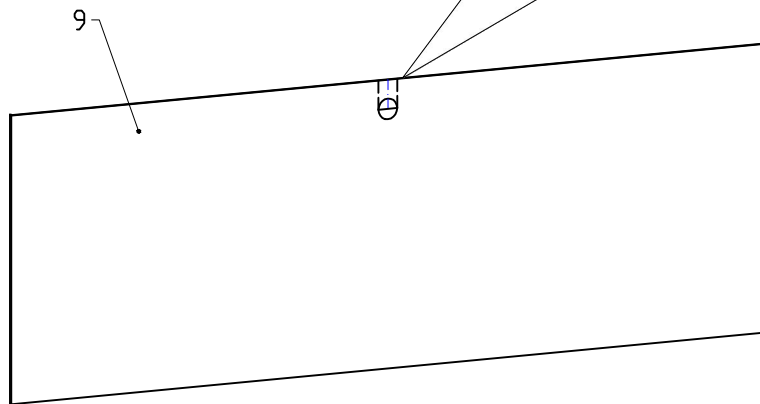
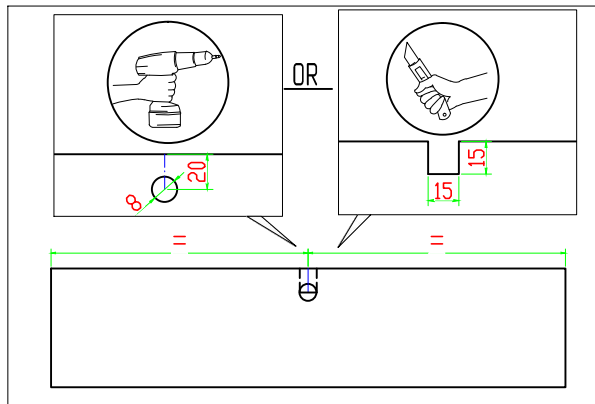


Ⓔ - 2
Ⓔ - 2

"VINTAGE" Art. 38.601.01

7

9-1

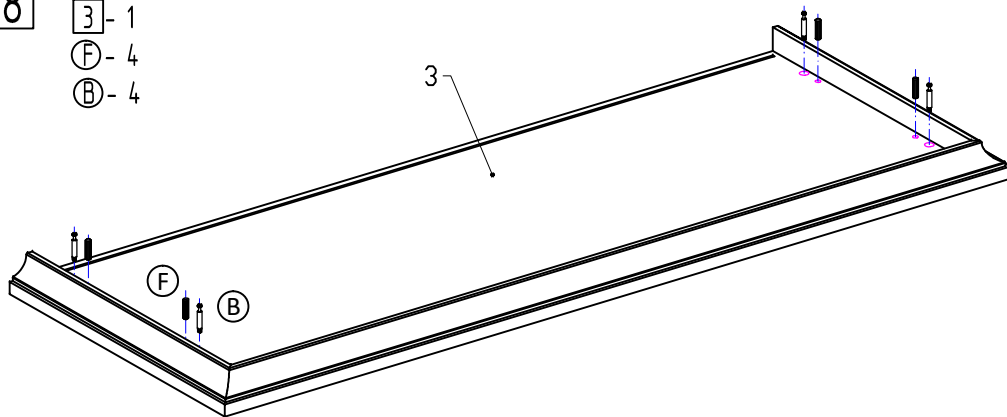


8

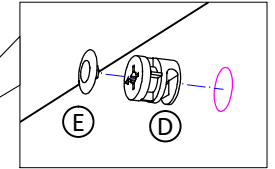
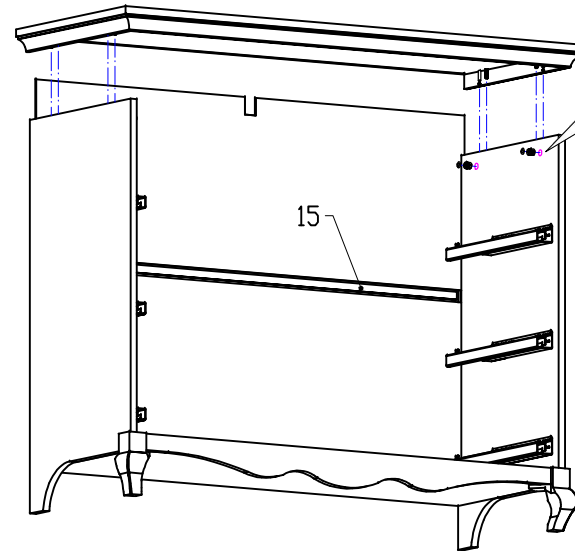
3-1

F-4

B-4



9



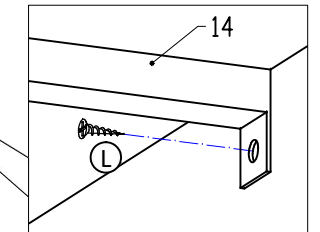
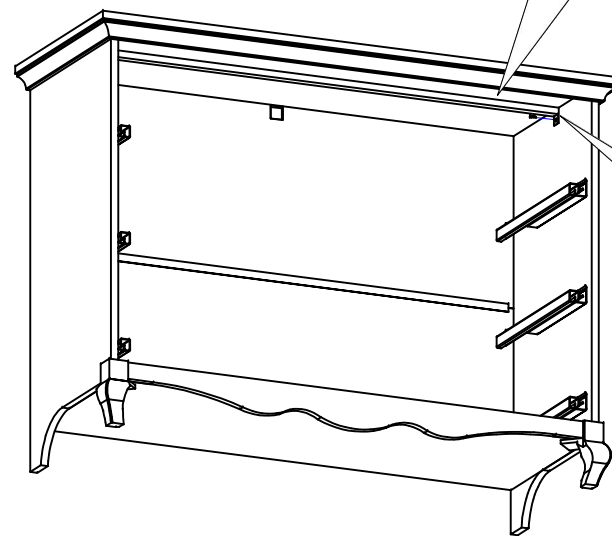
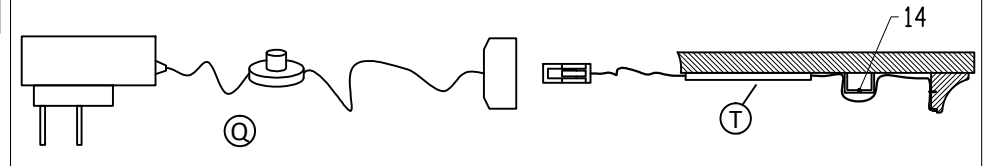
9-2

15-1

D-4

E-4

10



14-1

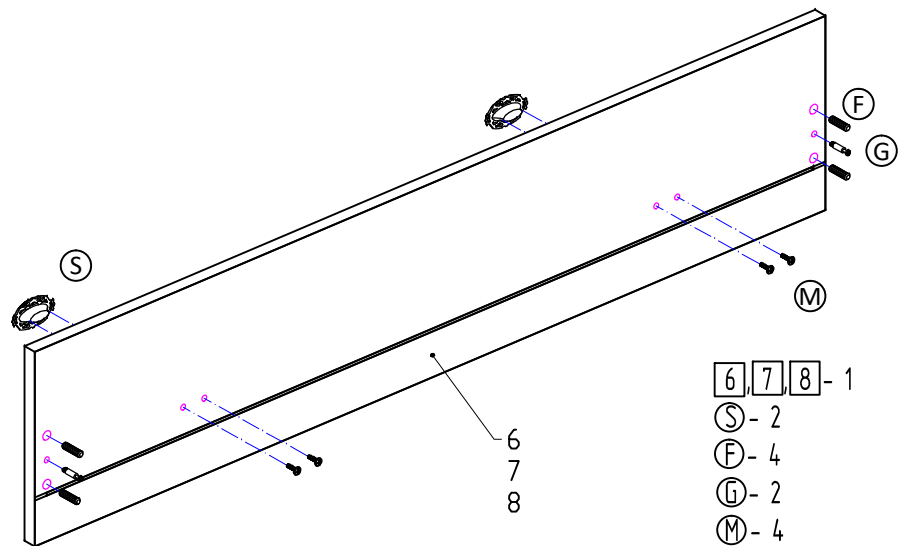
L-2

T-1

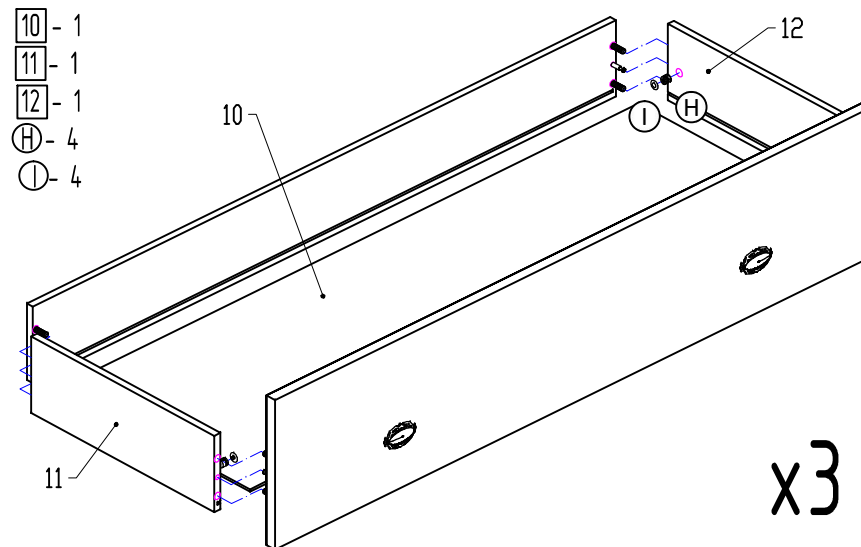
Q-1

"VINTAGE" Art. 38.601.01

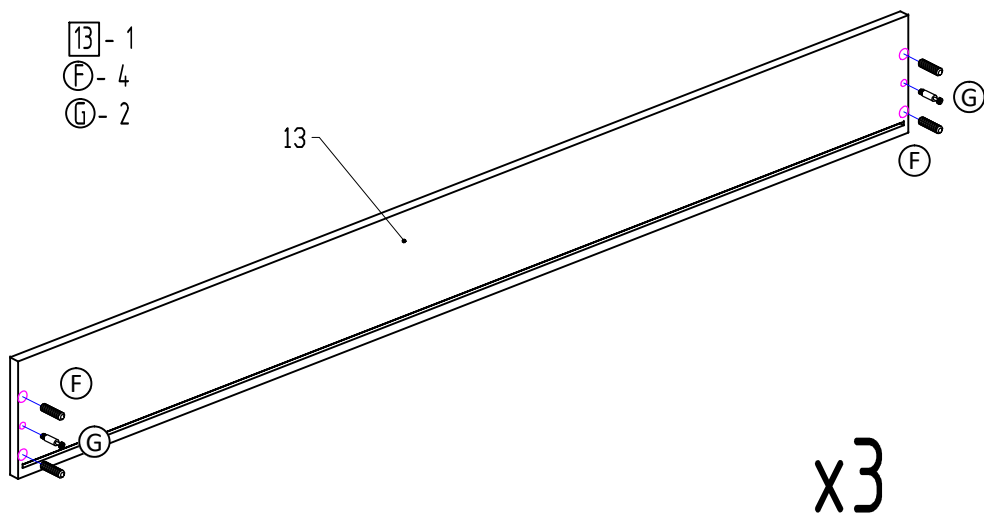
11



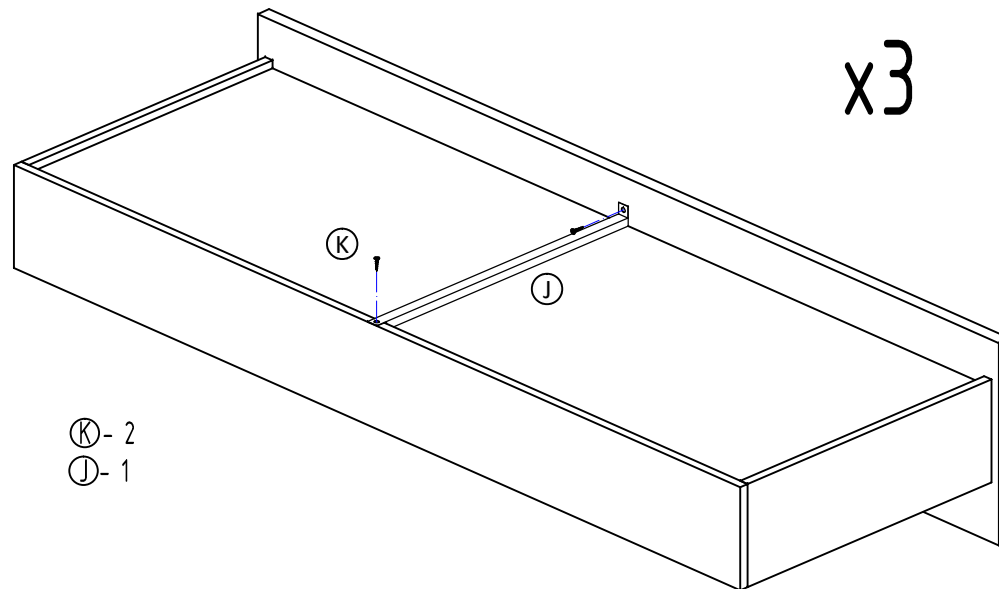
13



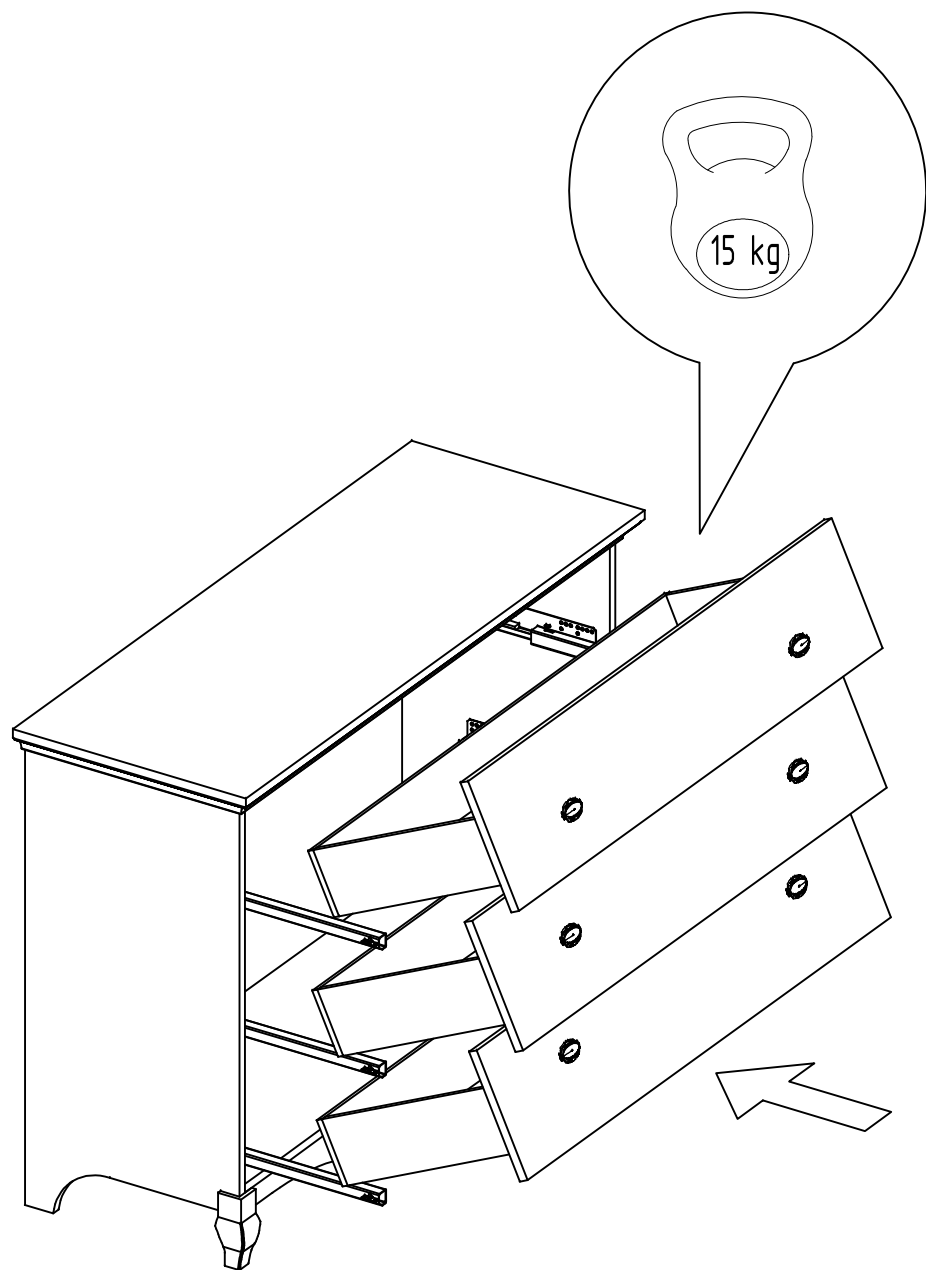
12



14



15



16

