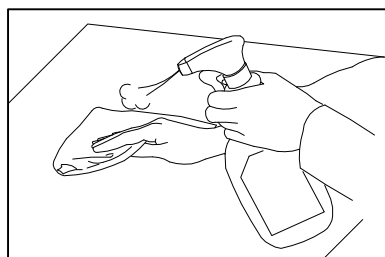
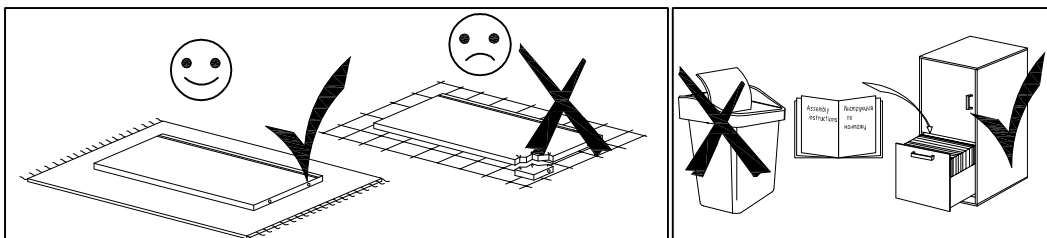
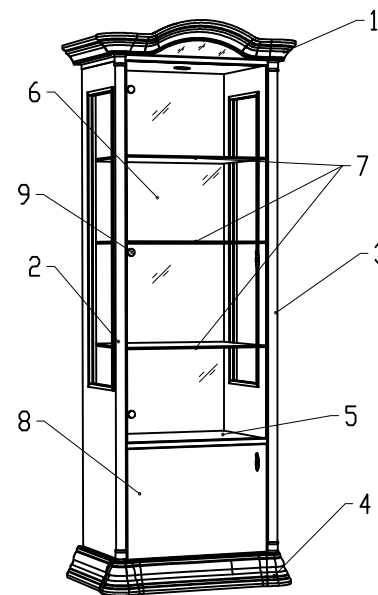
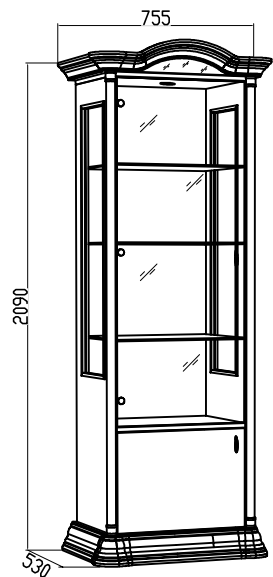
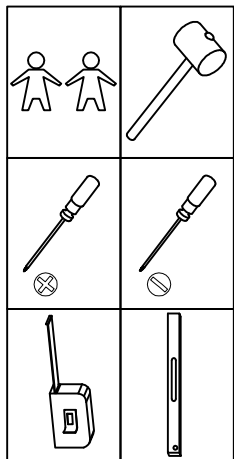


"ROZA" Art. 37.102



A	x2	B	x4+8	C	x22	D	x22	E	x12
		d15		L34		15x14		8x28	
F	x2	G	x3	H	x3	I	x1	J	x1
K	x2	L	x12	M	x22	N	x1	O	x1
				M6 8x11		SW6			
P	x2	Q	x3	R	x1	S	x1	T	x1
		US 3,5x13		M4 x10					
U	x3	V	x2	W	x4	X	x1	Y	x2
		H=4		US 3,5x16		M4x22			

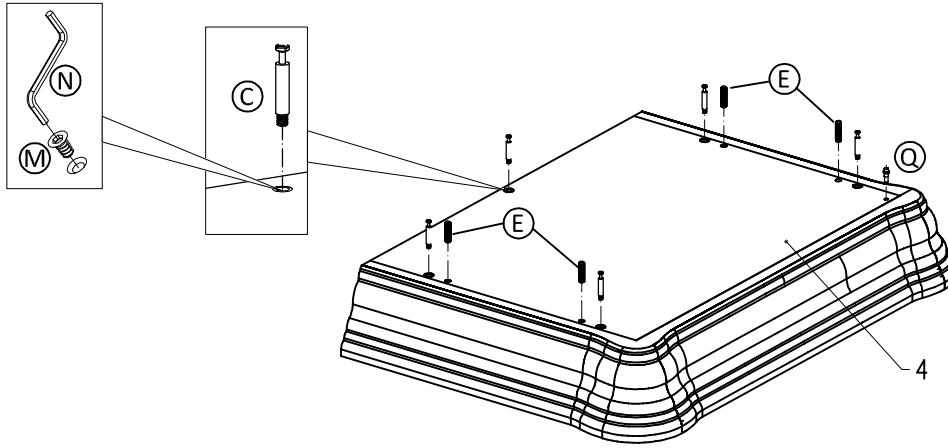
Packaging number	Contains	L*W*H	Quantity
1	4	755*530*117	1
	1	755*530*178	1
2	2	1843*471*44	1
	3	1843*471*44	1
3	6	1825*563*22	1
	9	1390*557*4	1
4	5	563*430*18	1
	7	551*415*6	3
5	8	557*405*18	1



"ROZA" Art. 37.102

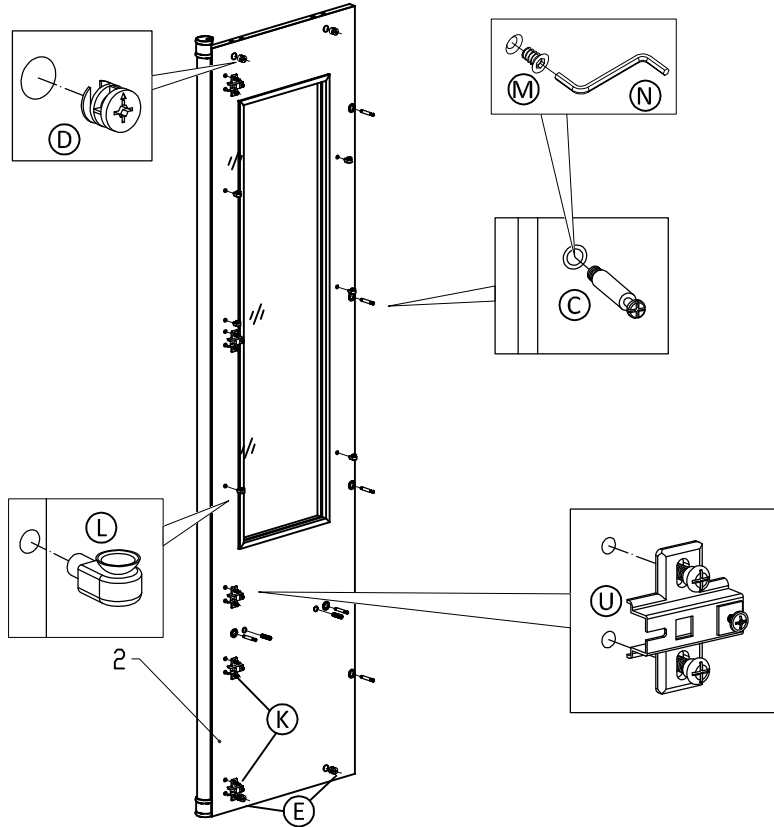
1

- Ⓢ - 5
- Ⓔ - 4
- Ⓜ - 5
- Ⓝ - 1
- Ⓠ - 1
- 4 - 1



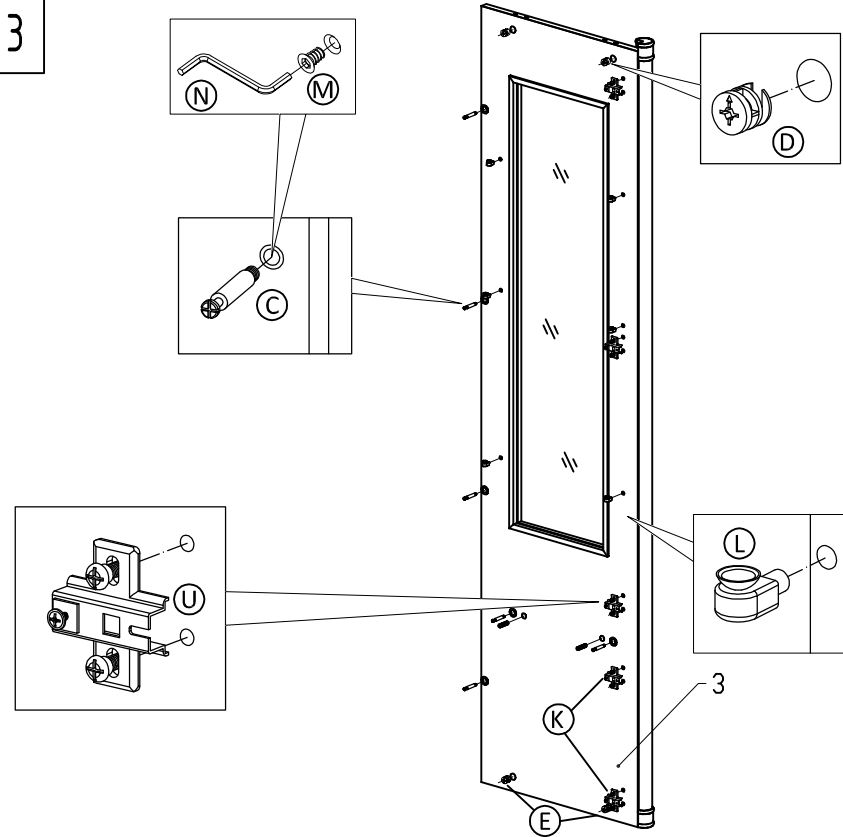
2

- Ⓢ - 6
- Ⓓ - 4
- Ⓔ - 2
- Ⓚ - 2
- Ⓛ - 6
- Ⓜ - 6
- Ⓝ - 1
- Ⓤ - 3
- 2 - 1

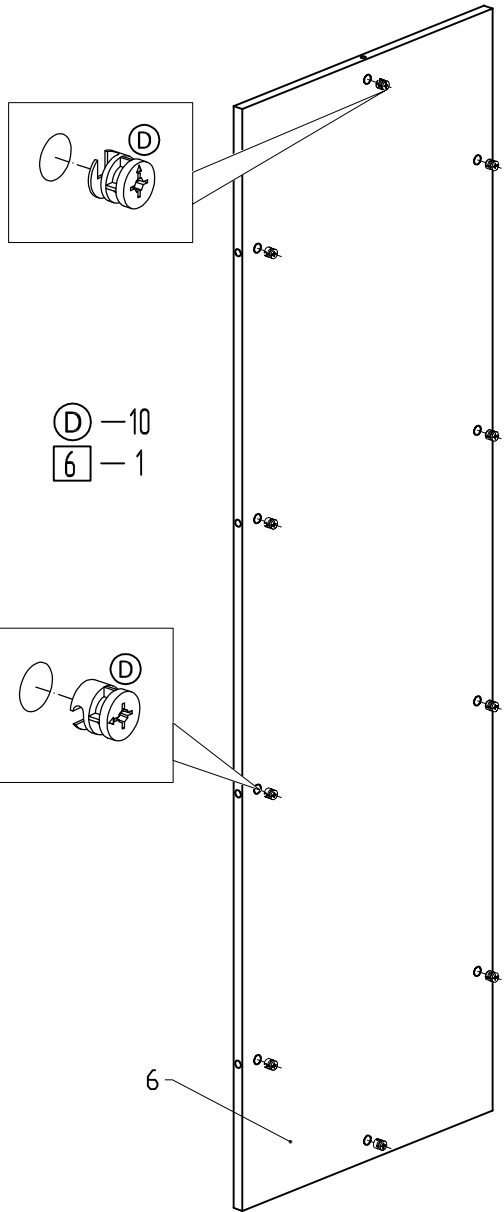


3

- Ⓢ - 6
- Ⓓ - 4
- Ⓔ - 2
- Ⓚ - 2
- Ⓛ - 6
- Ⓜ - 6
- Ⓝ - 1
- Ⓤ - 3
- 3 - 1

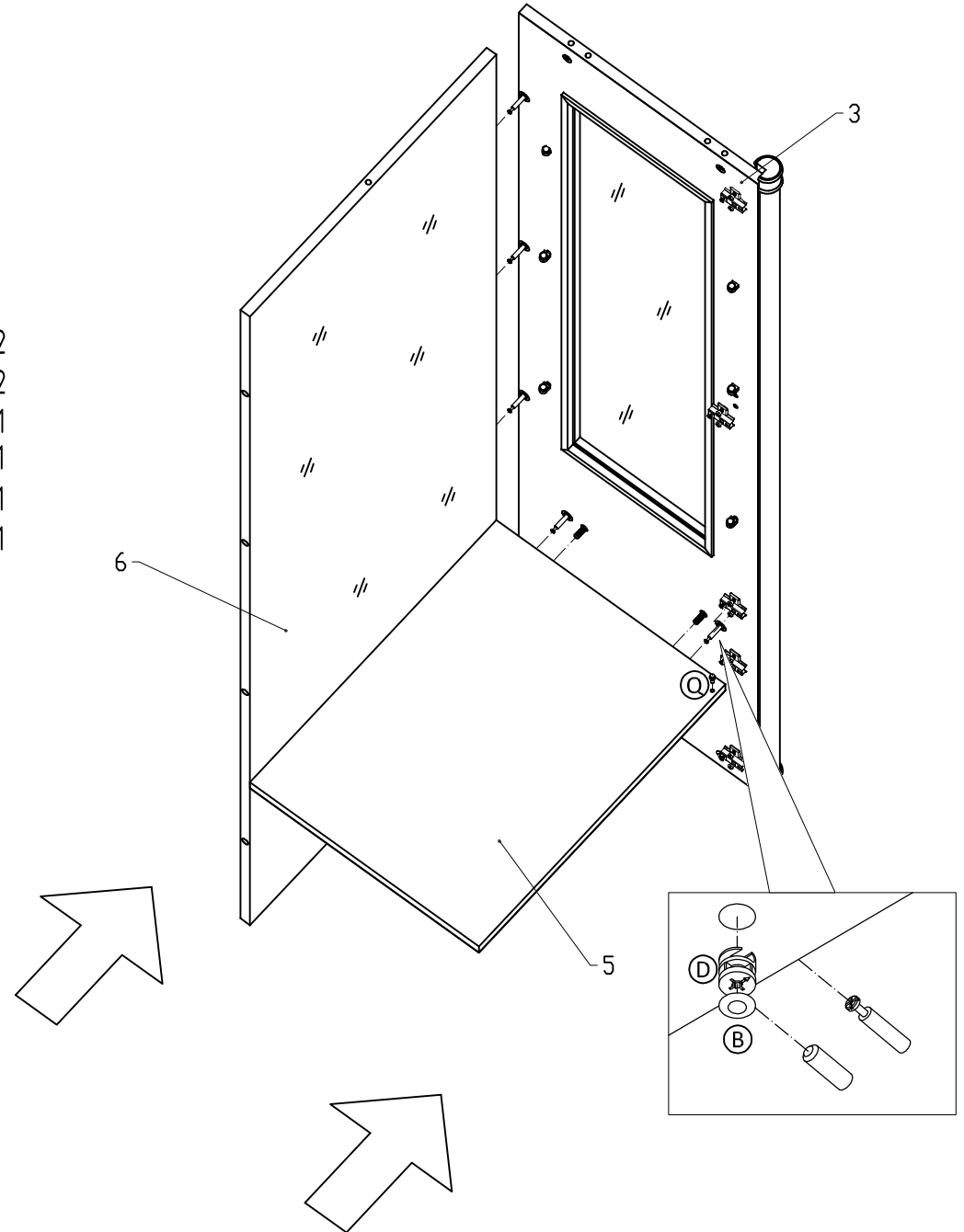


4



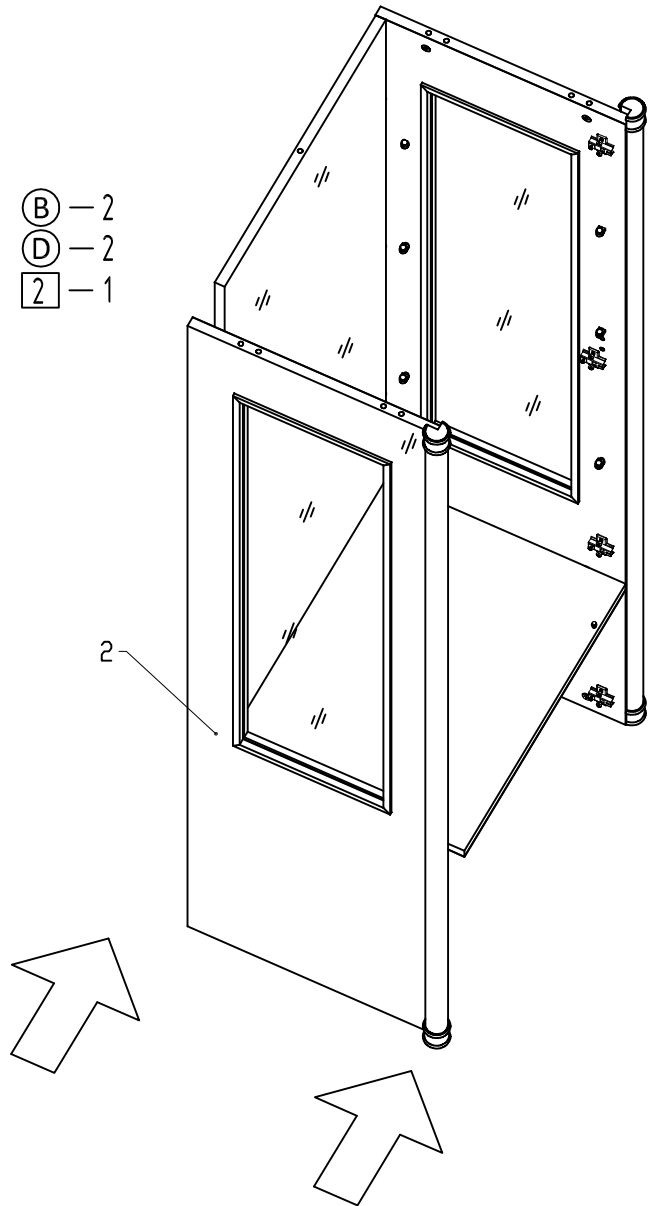
5

- ⓑ - 2
- ⓓ - 2
- Ⓚ - 1
- 3 - 1
- 5 - 1
- 6 - 1



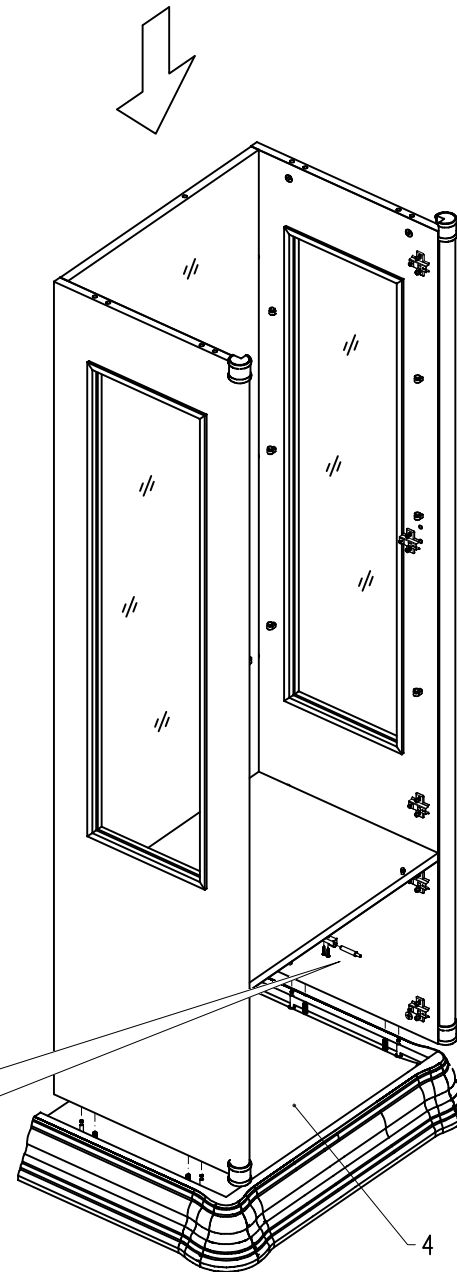
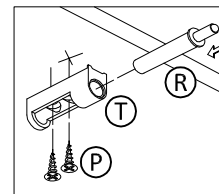
6

- ⓑ - 2
- ⓓ - 2
- 2 - 1

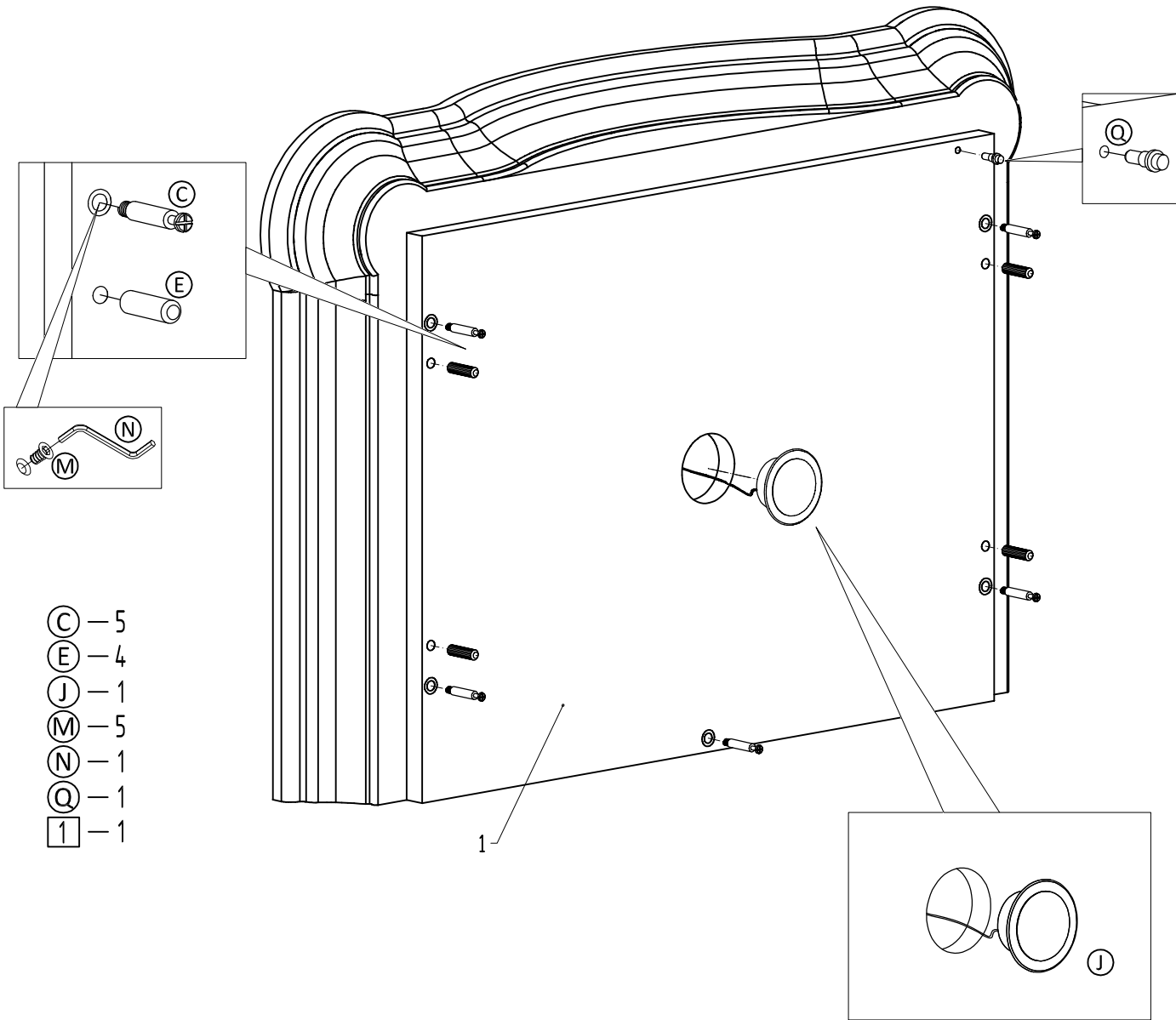


7

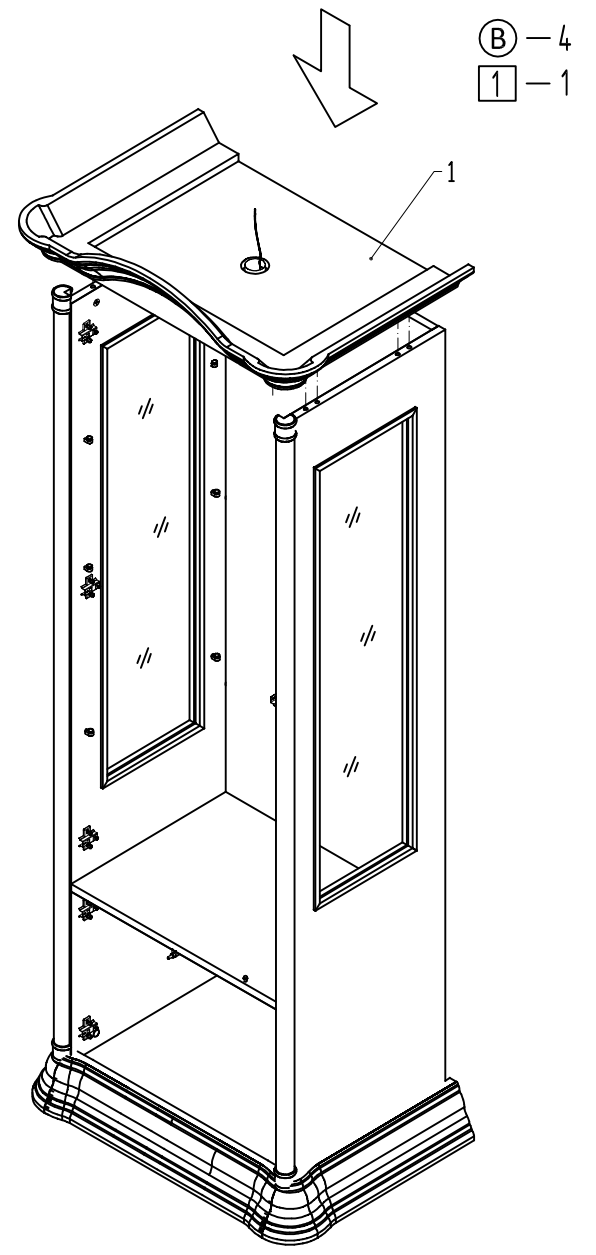
- ⓑ - 4
- Ⓟ - 2
- Ⓡ - 1
- Ⓣ - 1
- 4 - 1



8

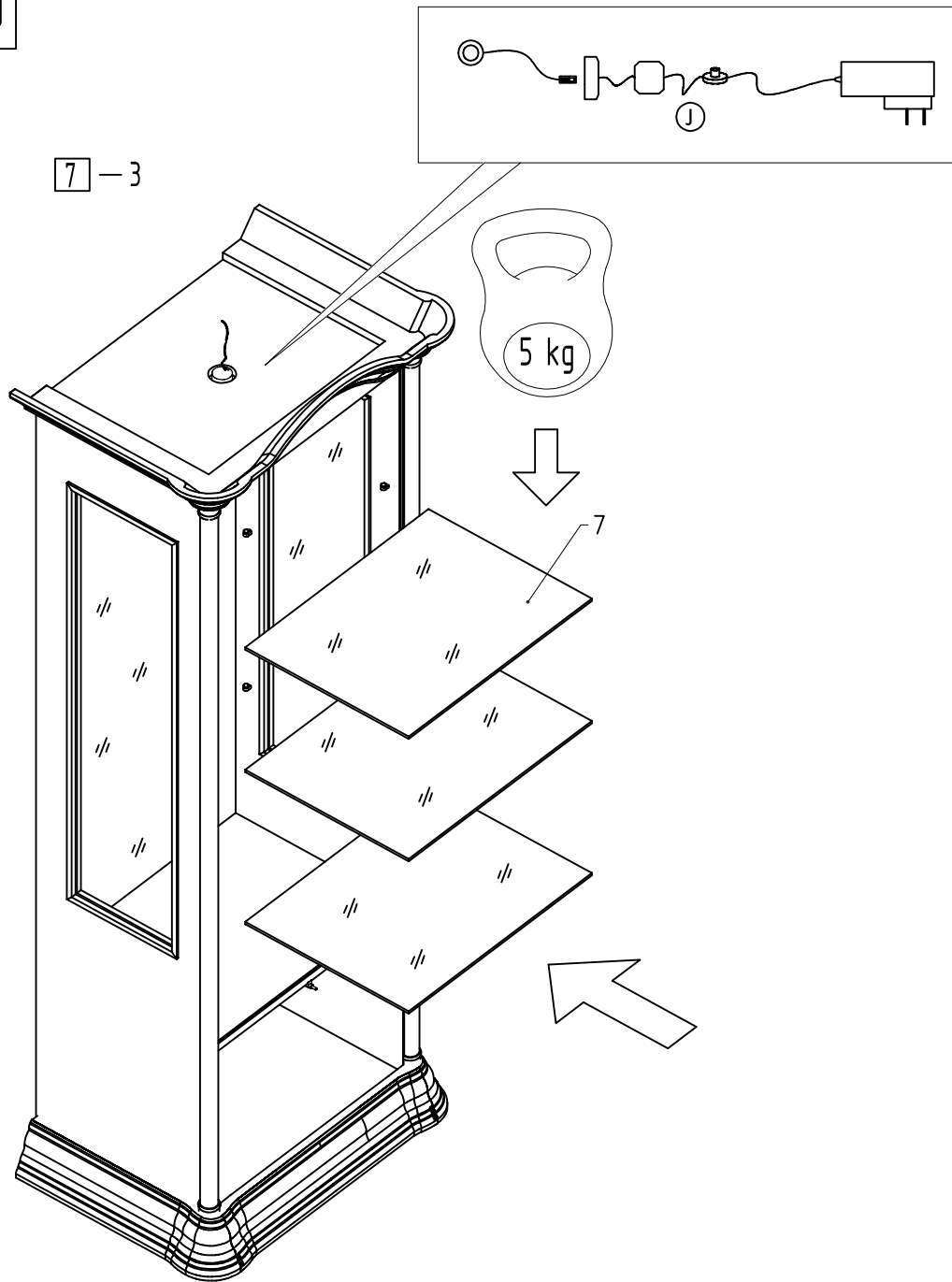


9

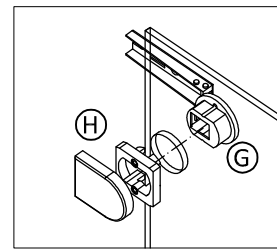


10

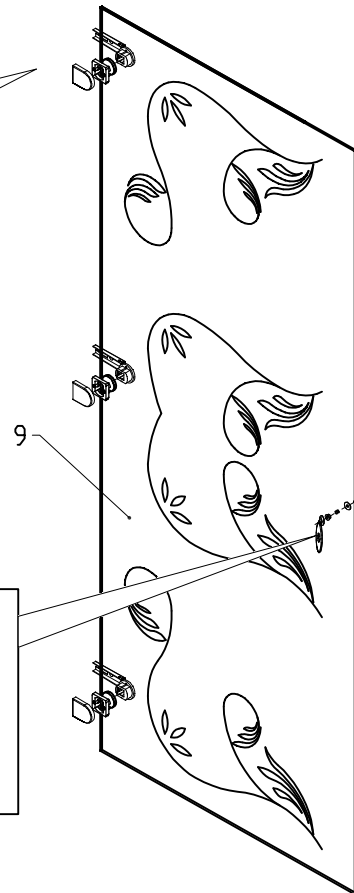
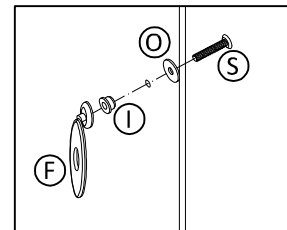
7-3



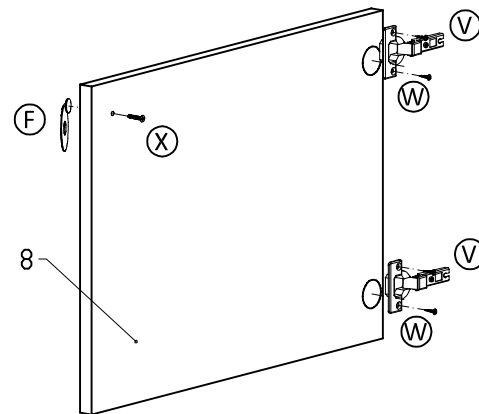
11



- (F) - 1
- (G) - 3
- (H) - 3
- (I) - 1
- (O) - 1
- (S) - 1
- [9] - 1



12



- (F) - 1
- (V) - 2
- (W) - 4
- (X) - 1
- [8] - 1

13

- 8 - 1
- 9 - 1

