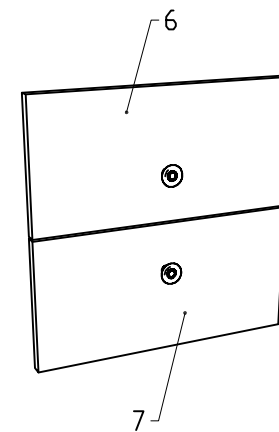
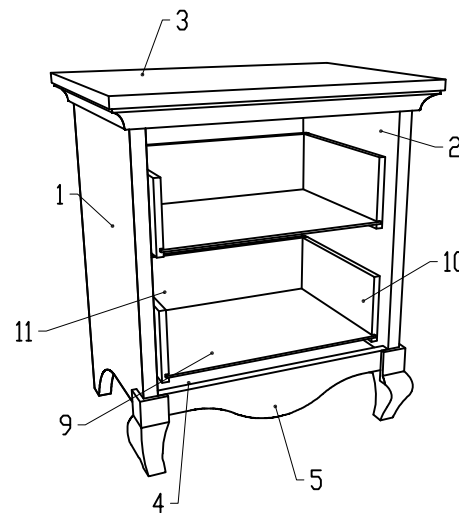
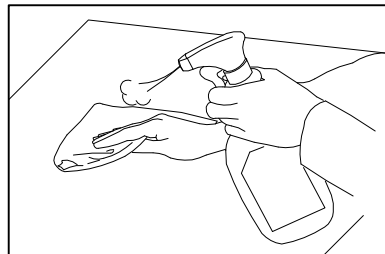
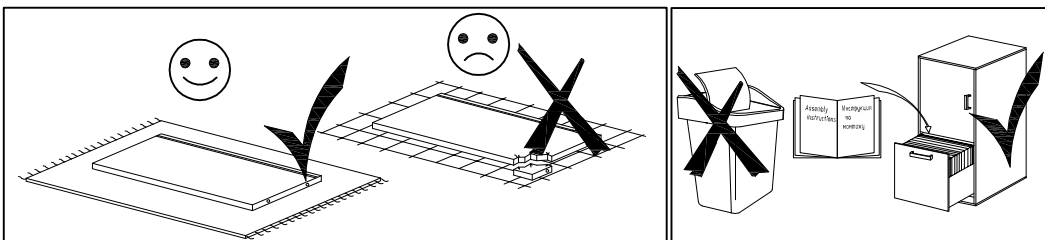
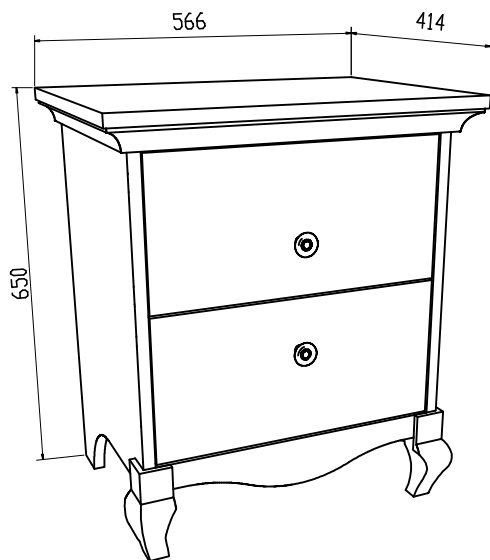
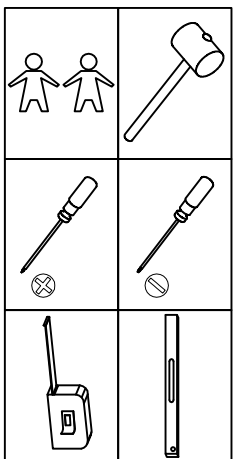


"VINTAGE" Art. 38.201



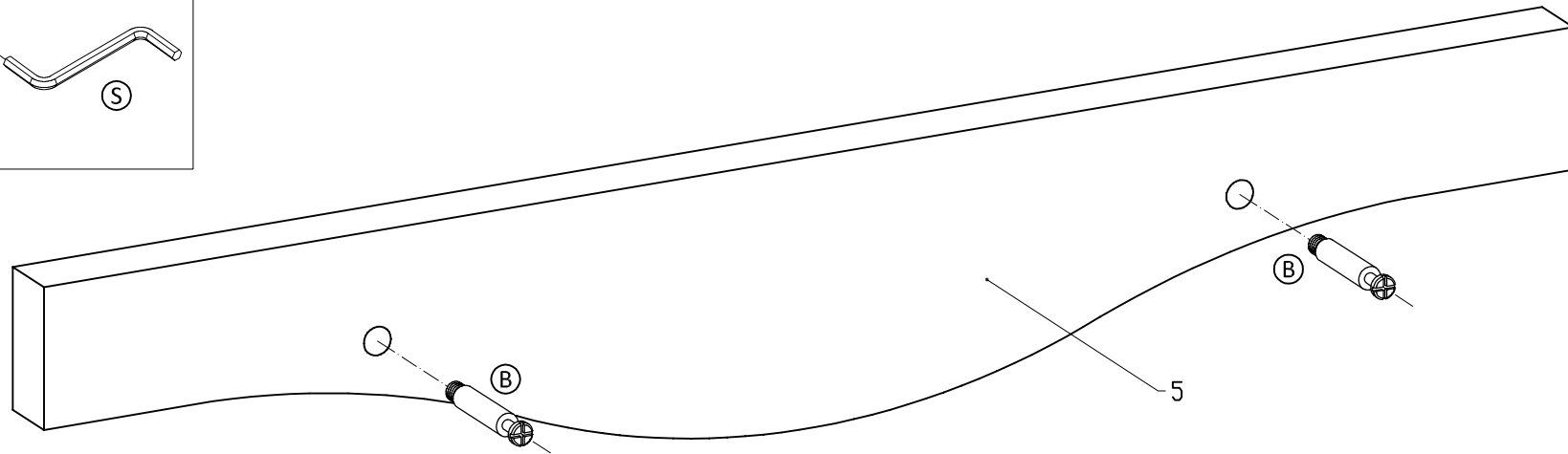
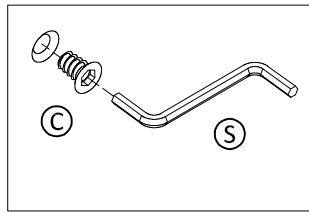
A	x2	B	x10	C	x10	D	x10	E	x10		
		L34		M6 8x11		15x14		d15			
F	x24	G	x8	H	x8	I	x8	J	x2		
8x28		L24		12x10		d12		L300			
K	x12	L	x2	M	x1	N	x2	O	x2		
US 3,5x16		UP M4x22									
P	x8	Q	x2	R	x1	S	x1	T	x2	U	x4
US 3,5x13		UP M6x25				SW6					

Packaging number	Contains	L*W*H	Quantity
1	3	566*414*53	1
	5	454*76*18	1
	6	450*219*18	1
	7	450*219*18	1
2	1	628*375*18	1
	2	628*375*18	1
	4	454*356*18	1
	8	520*470*3	1
	9	412*298*3	2
	10	288*130*12	4
	11	426*130*12	2



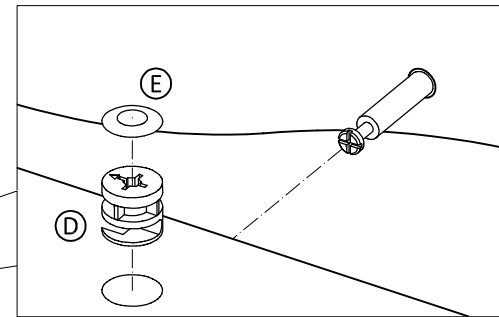
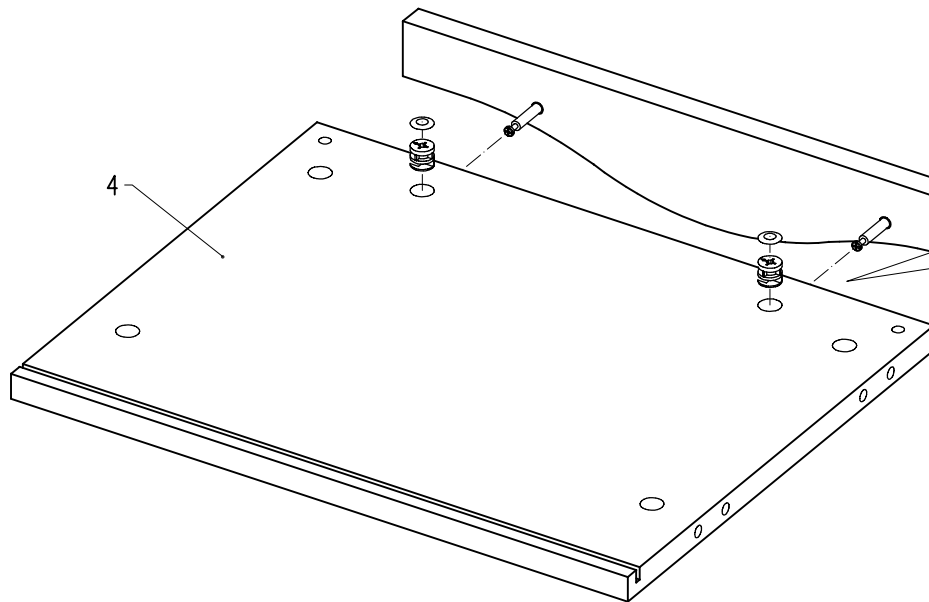
"VINTAGE" Art. 38.201

1



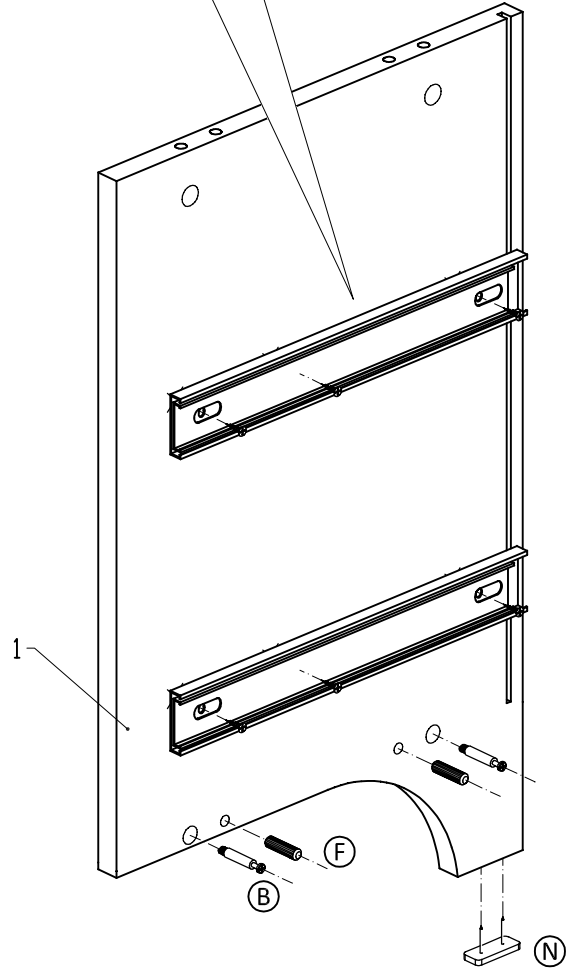
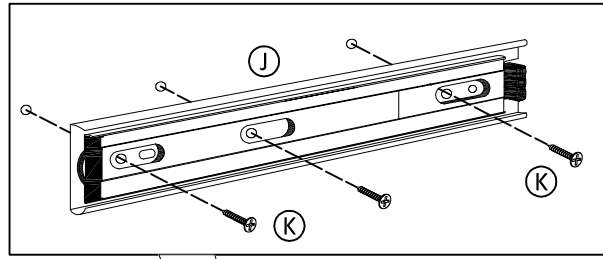
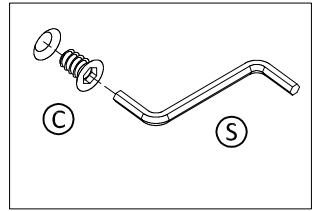
- 5 - 1
- B - 2
- C - 2
- S - 1

2



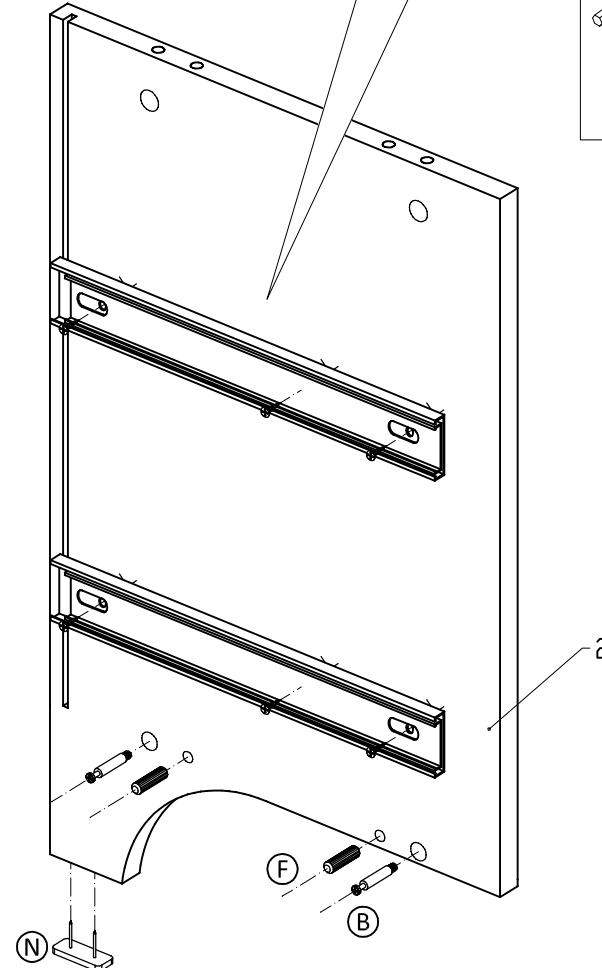
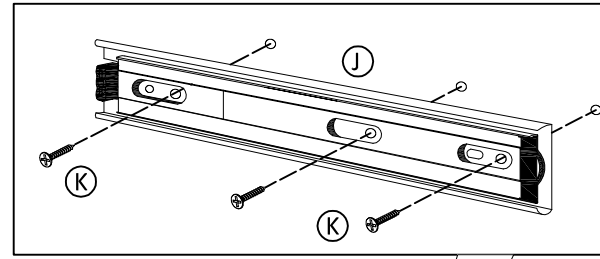
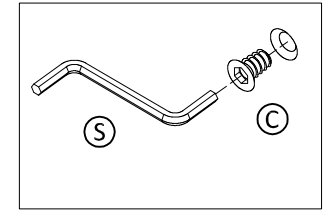
- 4 - 1
- D - 2
- E - 2

3



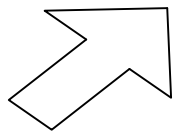
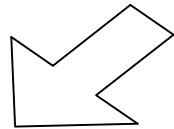
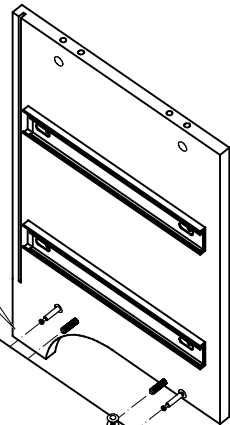
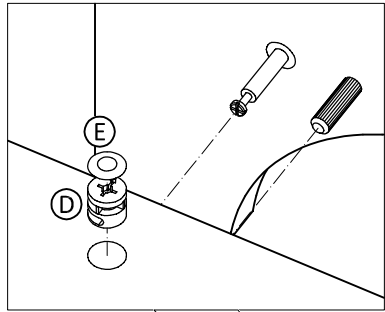
- 1- 1
- ⓑ- 2
- ⓒ- 2
- Ⓕ- 2
- Ⓝ- 2
- Ⓚ- 6
- Ⓝ- 1
- Ⓢ- 1

4



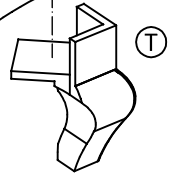
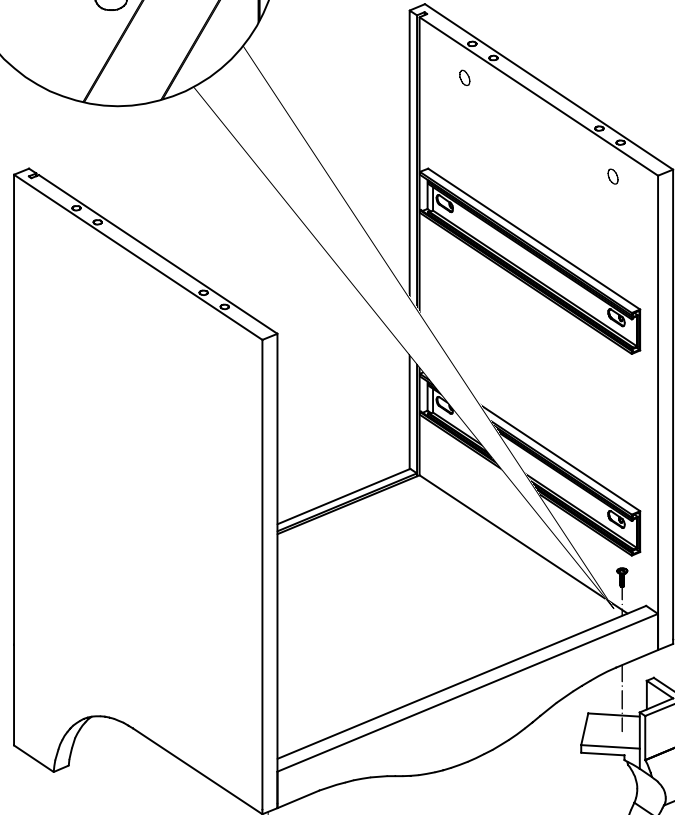
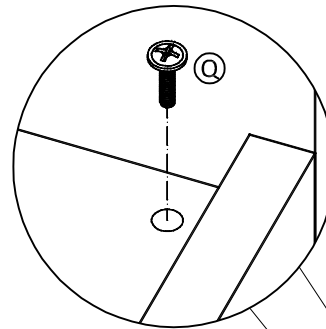
- 2- 1
- ⓑ- 2
- ⓒ- 2
- Ⓕ- 2
- Ⓝ- 2
- Ⓚ- 6
- Ⓝ- 1
- Ⓢ- 1

5



E - 4
D - 4

6



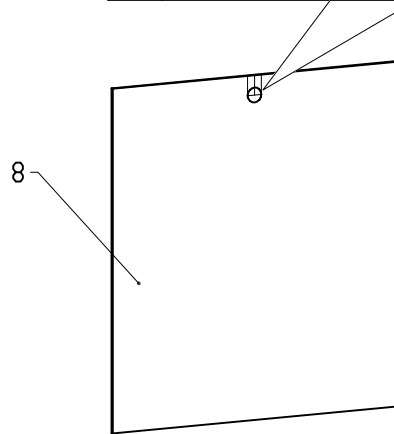
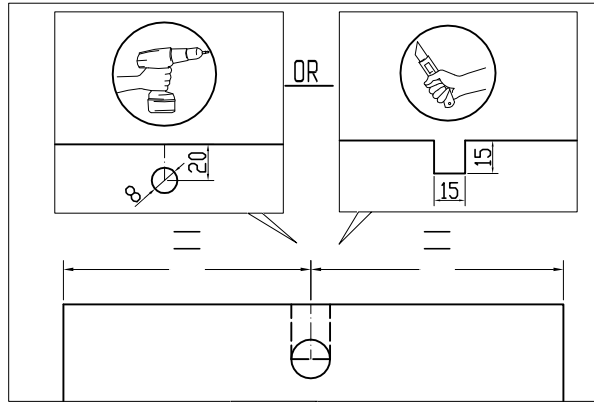
T



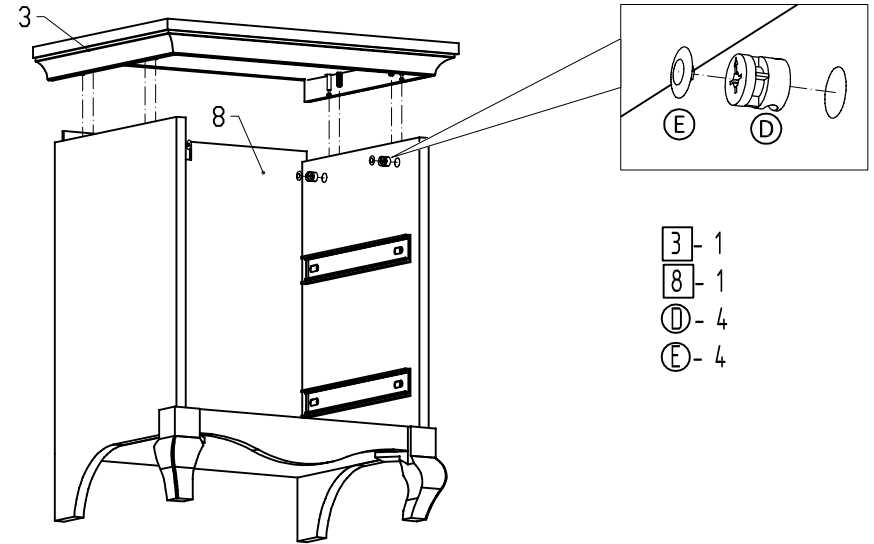
Q - 2
T - 2

7

8-1



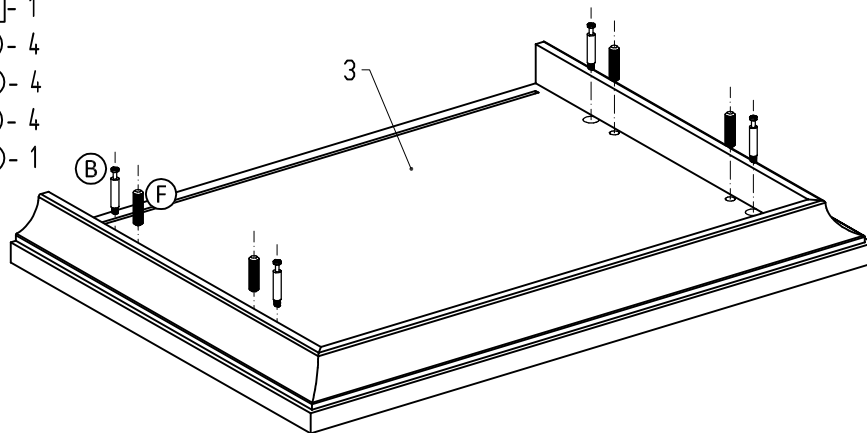
9



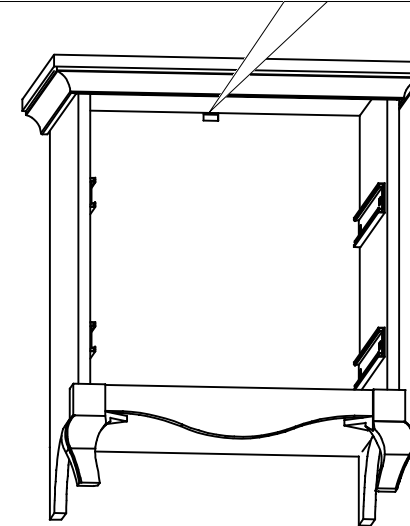
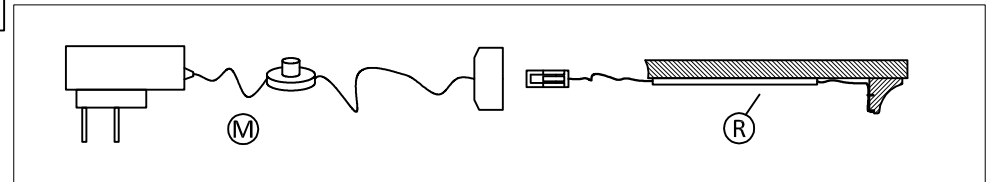
- 3 - 1
- 8 - 1
- D - 4
- E - 4

8

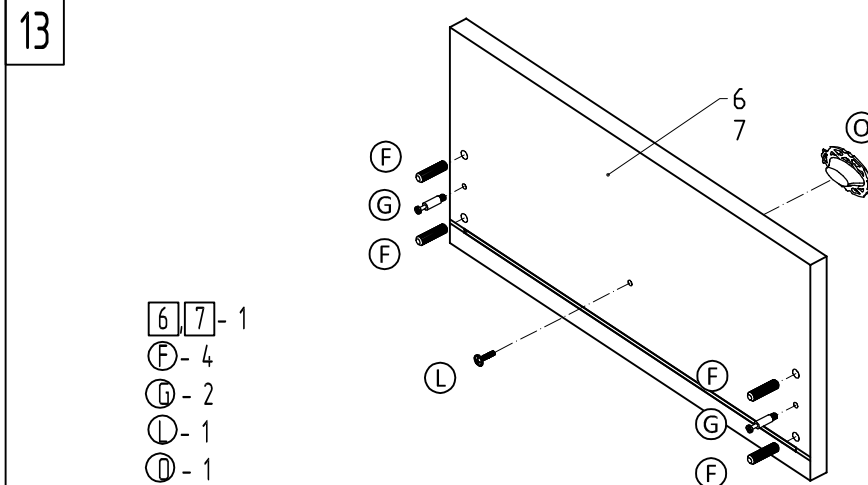
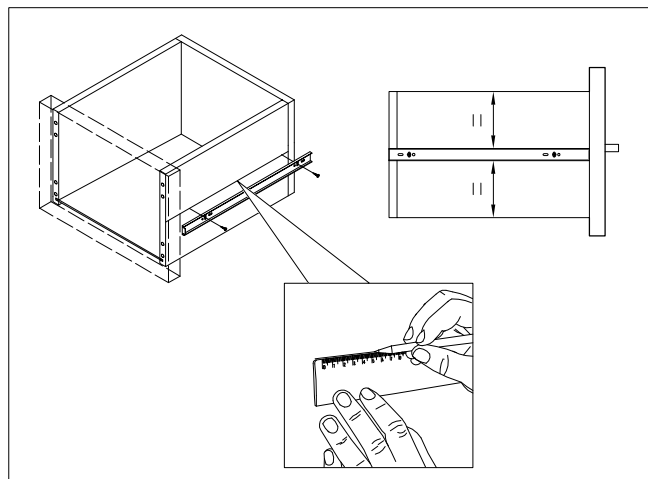
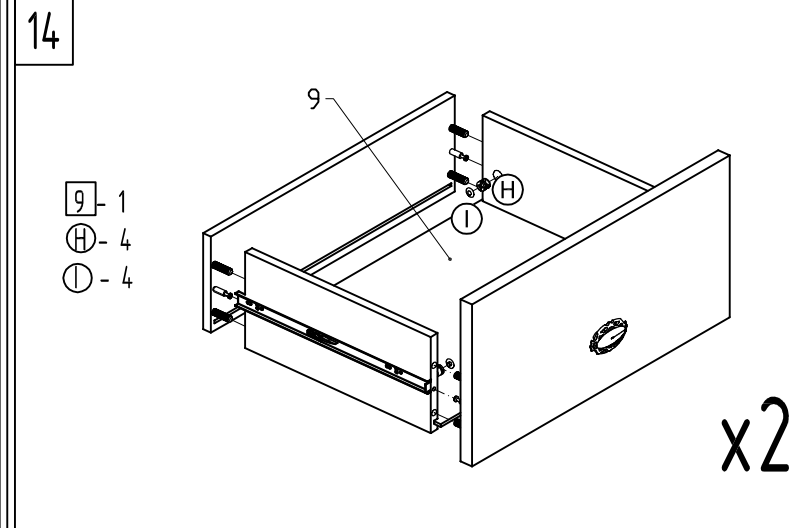
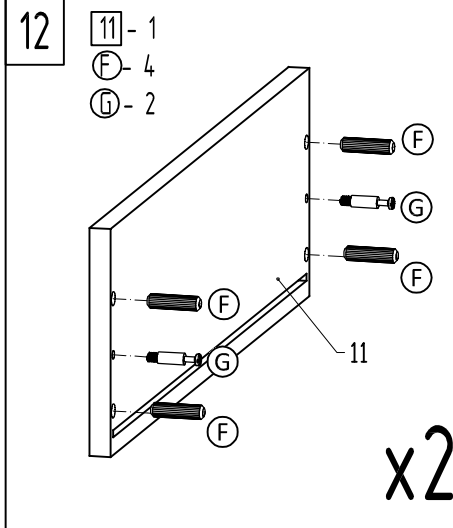
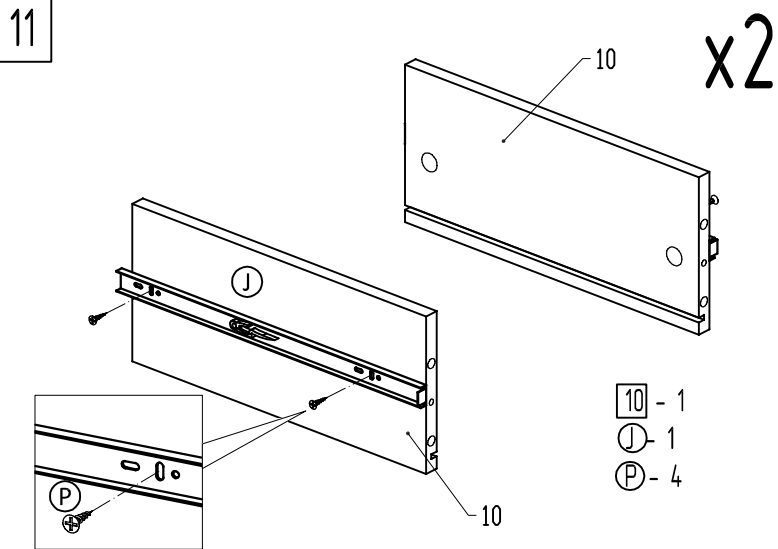
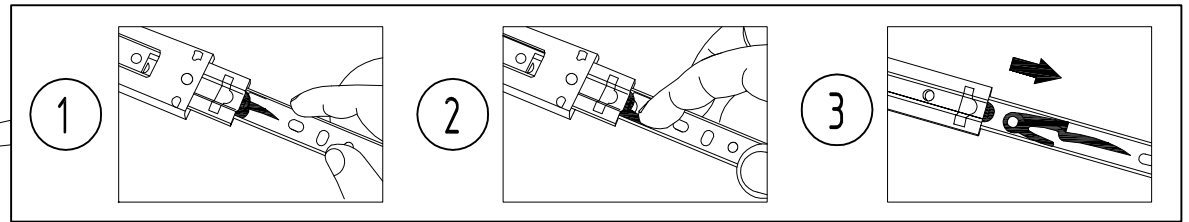
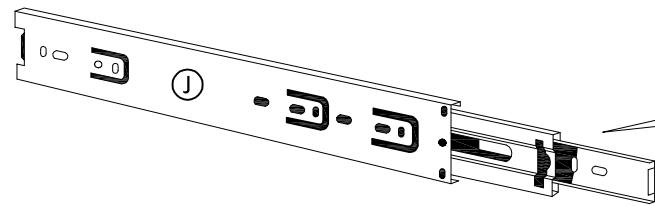
- 3 - 1
- F - 4
- B - 4
- C - 4
- S - 1



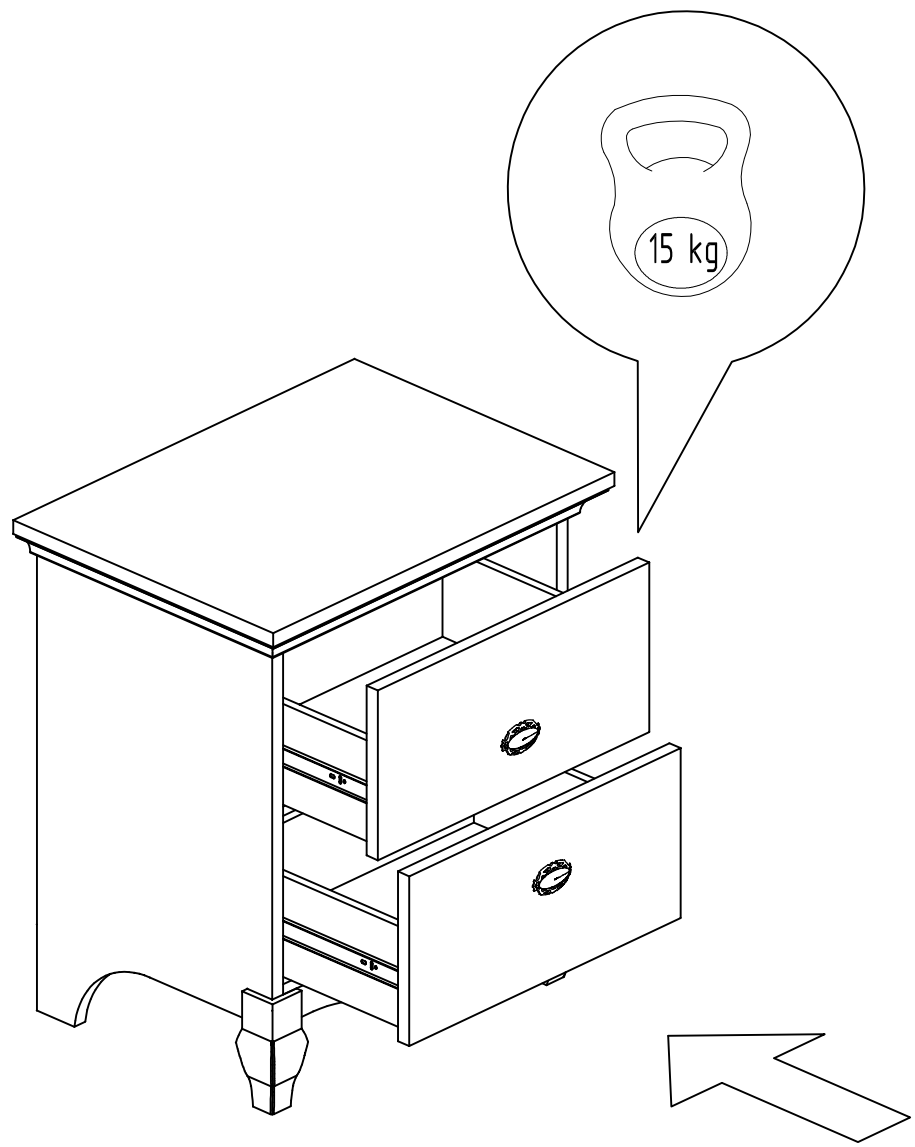
10



- M - 1
- R - 1



15



16

